

DATA SHEET

DB 31a-18

Type BR 31a · Quarter-turn actuator

Spare parts and dimensions of tools



Spare parts

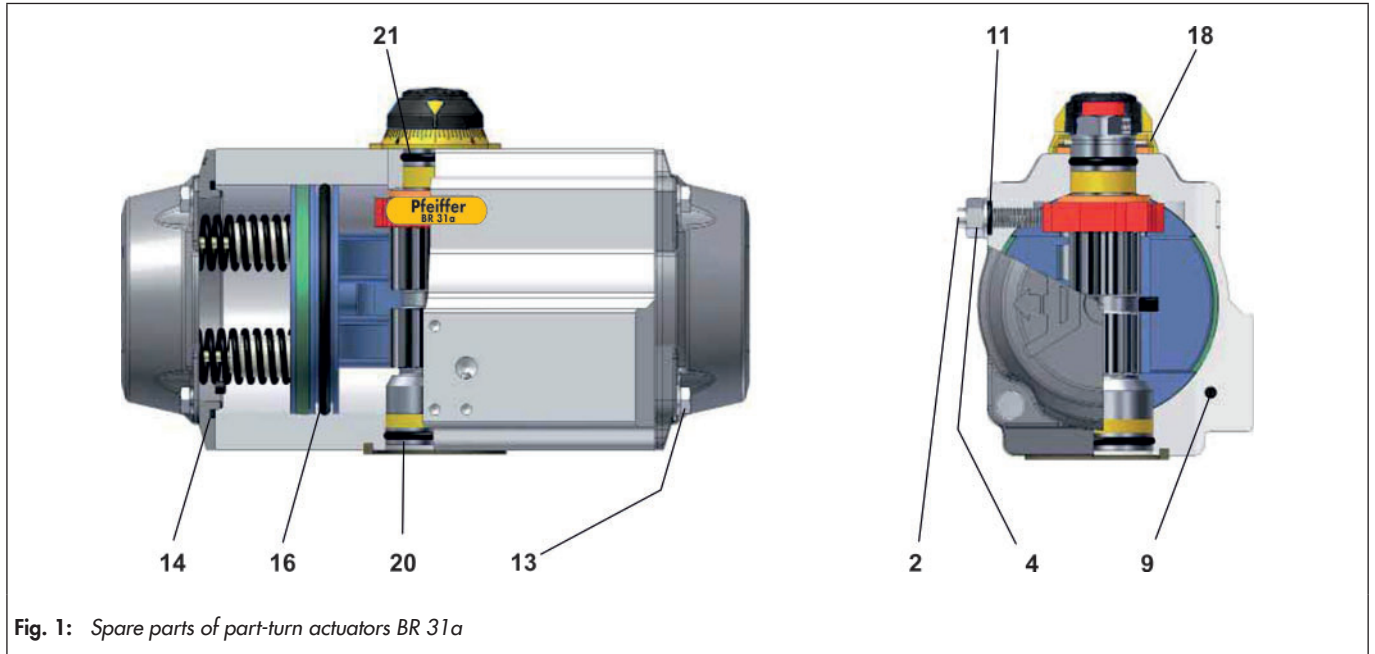


Fig. 1: Spare parts of part-turn actuators BR 31a

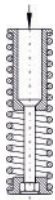
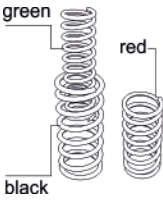
Table 1: Spare parts

Item	Qty.	Description	DAP/SRP 15	DAP/SRP 30	DAP/SRP 60	DAP/SRP 100	DAP/SRP 150	DAP/SRP 220	DAP/SRP 300	DAP/SRP 450
2	2	Stop cap screw	M6x24	M6x28	M8x31.5	M8x34	M10x41	M12x49		M14x55
4	2	Nut (Stop screw)	M6		M8		M10	M12		M14
9	2	Plug	special made							
11	2	O-ring (Stop screw)	5.28x1.78		7.6x2.62		9.92x2.62	10.69x3.53		13.87x3.53
13*	8	Cap screw (End cap)	M5x30	M6x25			M8x30		M10x35	
14	2	O-ring (End cap)	47.35x1.78	60.05x1.78	72.70x2.62	83.8x2.62	97x2,6	113.9x3.53	123.42x3.53	142.5x3.53
16	2	O-ring (Piston)	42.86x3.53	56.75x3.53	68.26x3.53	75.57x5.34	86.69x5.34	104.14x5.34	113.67x5.34	129.54x6.99
18	1	Ø of spring clip	14	16	22	25	26	36	38	45
20	1	O-ring (Pinion bottom)	17.16x1.78	20.35x1.78	26.65x2.62	33x2.62	34.6x2.62	44.12x2.62	48.9x2.62	55.56x3.53
21	1	O-ring (Pinion top)	10.82x1.78	12.42x1.78	17.13x2.62	20.29x2.62	21.9x2.62	29.82x2.62	33x2.62	37.7x3.53

Item	Qty.	Description	DAP/SRP 600	DAP/SRP 900	DAP/SRP 1200	DAP/SRP 2000	DAP/SRP 3000	DAP/SRP 4000	DAP/SRP 5000	DAP/SRP 10000	
2	2	Stop cap screw	M14x55	M16x68.5	M20x77	M20x85.5	M24x94	M30x108	M30x129	M39x178	
4	2	Nut (Stop screw)	M14	M16	M20		M24	M30		M39	
9	2	Plug	special made							18.64x3.53	23.17x5.34
11	2	O-ring (Stop screw)	13.87x3.54	15.47x3.53	18.42x5.34		21.59x5.34	27.94x5.34		34.47x6.99	
13*	8	Cap screw (End cap)	M12x50		M14x55	M16x60	M14x55	M16x60		M16x70	
14	2	O-ring (End cap)	158.35x3.53	177.4x3.53	196.45x3.53	234.3x5.34	253.4x5.34	291.47x5.34	304.17x5.34	417.96x6.99	
16	2	O-ring (Piston)	145.42x6.99	166.7x6.99	183.5x6.99	221.6x6.99	247x6.99	285.1x6.99	310.5x6.99	390x10	
18	1	Ø of spring clip	48	52	58	68	80	85	90	102	
20	1	O-ring (Pinion bottom)	59.92x3.53	63.1x3.53	69.22x5.34	81.92x5.34	100x5.34	109.54x5.34	116.84x5.34	129.54x6.99	
21	1	O-ring (Pinion top)	40.87x3.53	44.45x3.53	47x5.34	56.52x5.34	62.22x5.34	74.63x5.34	78.74x5.34	88.27x6.99	

* SRP/DAP 3000 and 4000 => 12 Cap screws; SRP/DAP 5000 and 10000 => 16 Cap screws

Table 2: Springs

Springs Edition 2010 Cartridge: green or natural colour	Springs only for DAP/SRP 15
	 <p>green</p> <p>red</p> <p>black</p>

Dimensions of tools and torques for maintenance

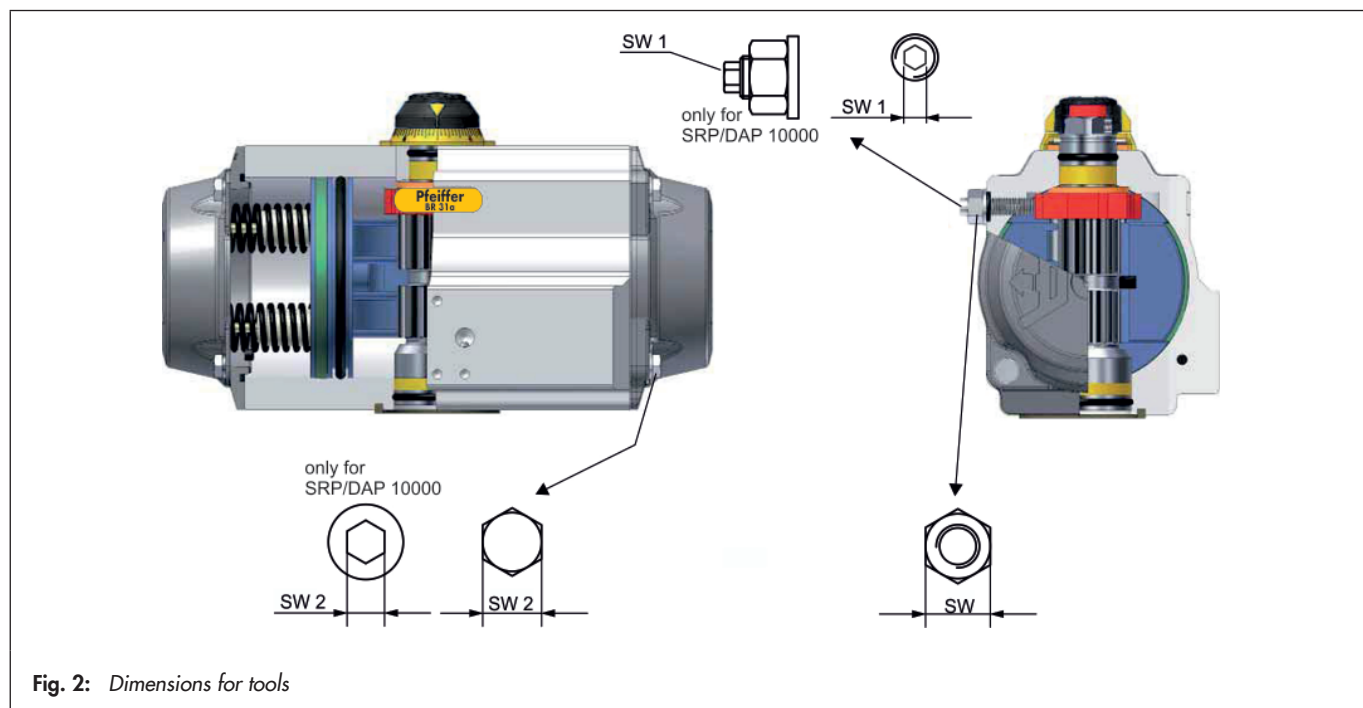


Table 3: Dimensions and torques

DAP / SRP	SW 1	SW	SW 2	Cap screw torque in Nm
15	3	10	8	5 => 6
30	3	10	10	10 => 11
60	4	13	10	10 => 11
100	4	13	10	10 => 11
150	5	17	13	23 => 25
220	6	19	13	23 => 25
300	6	19	17	48 => 52
450	6	22	17	48 => 52
600	6	22	19	82 => 86
900	8	24	19	82 => 86
1200	10	30	22	132 => 138
2000	10	30	24	200 => 210
3000	12	36	22	132 => 138
4000	17	46	24	200 => 210
5000	17	46	24	200 => 210
10000	24	60	14	200 => 210