

# MOUNTING AND OPERATING INSTRUCTIONS



## EB 8131/8132 EN

Translation of original instructions



Type 3531 Valve with mounted rod-type yoke (partial view)

## Type 3531 Globe Valve for Heat Transfer Oil

## Note on these mounting and operating instructions

These mounting and operating instructions assist you in mounting and operating the device safely. The instructions are binding for handling SAMSON devices. The images shown in these instructions are for illustration purposes only. The actual product may vary.

- For the safe and proper use of these instructions, read them carefully and keep them for later reference.
- If you have any questions about these instructions, contact SAMSON's After-sales Service ([aftersaleservice@samsongroup.com](mailto:aftersaleservice@samsongroup.com)).



Documents relating to the device, such as the mounting and operating instructions, are available on our website at [www.samsongroup.com](http://www.samsongroup.com) > **Downloads > Documentation.**

## Definition of signal words

### **DANGER**

*Hazardous situations which, if not avoided, will result in death or serious injury*

### **WARNING**

*Hazardous situations which, if not avoided, could result in death or serious injury*

### **NOTICE**

*Property damage message or malfunction*

### **Note**

*Additional information*

### **Tip**

*Recommended action*

<b>1</b>	<b>Safety instructions and measures .....</b>	<b>1-1</b>
1.1	Notes on possible severe personal injury .....	1-4
1.2	Notes on possible personal injury .....	1-5
1.3	Notes on possible property damage .....	1-7
1.4	Warnings on the device.....	1-9
<b>2</b>	<b>Markings on the device .....</b>	<b>2-1</b>
2.1	Valve nameplate .....	2-1
2.2	Actuator nameplate.....	2-2
<b>3</b>	<b>Design and principle of operation .....</b>	<b>3-1</b>
3.1	Versions .....	3-1
3.2	Additional fittings.....	3-1
3.3	Technical data .....	3-3
<b>4</b>	<b>Shipment and on-site transport .....</b>	<b>4-1</b>
4.1	Accepting the delivered goods .....	4-1
4.2	Removing the packaging from the valve.....	4-1
4.3	Transporting and lifting the valve.....	4-1
4.3.1	Transporting the valve .....	4-2
4.3.2	Lifting the valve.....	4-3
4.4	Storing the valve .....	4-3
<b>5</b>	<b>Installation .....</b>	<b>5-1</b>
5.1	Installation conditions .....	5-1
5.2	Preparation for installation.....	5-2
5.3	Mounting the device.....	5-2
5.3.1	Mounting the actuator onto the valve.....	5-3
5.3.2	Installing the valve into the pipeline .....	5-3
5.4	Testing the installed valve.....	5-4
5.4.1	Leakage .....	5-5
5.4.2	Travel motion .....	5-5
5.4.3	Fail-safe position.....	5-5
5.4.4	Pressure test.....	5-5
<b>6</b>	<b>Start-up .....</b>	<b>6-1</b>
<b>7</b>	<b>Operation .....</b>	<b>7-1</b>
<b>8</b>	<b>Malfunctions .....</b>	<b>8-1</b>
8.1	Troubleshooting .....	8-1
8.2	Emergency action .....	8-3
<b>9</b>	<b>Servicing.....</b>	<b>9-1</b>

## Contents

9.1	Periodic testing .....	9-3
9.2	Service work preparations .....	9-3
9.3	Installing the valve after service work .....	9-3
9.4	Service work.....	9-5
9.4.1	Replacing the metal bellows .....	9-5
9.4.2	Replacing the seat and plug.....	9-6
9.5	Ordering spare parts and operating supplies .....	9-7
<b>10</b>	<b>Decommissioning .....</b>	<b>10-1</b>
<b>11</b>	<b>Removal .....</b>	<b>11-1</b>
11.1	Removing the valve from the pipeline.....	11-2
11.2	Removing the actuator from the valve .....	11-2
<b>12</b>	<b>Repairs .....</b>	<b>12-1</b>
12.1	Returning devices to SAMSON .....	12-1
<b>13</b>	<b>Disposal.....</b>	<b>13-1</b>
<b>14</b>	<b>Certificates.....</b>	<b>14-1</b>
<b>15</b>	<b>Appendix.....</b>	<b>15-1</b>
15.1	Tools and tightening torques.....	15-1
15.2	Spare parts .....	15-1
15.3	After-sales service .....	15-3

# 1 Safety instructions and measures

## Intended use

The Type 3531 Globe Valve in combination with actuator is designed as a control valve for heat transfer applications using organic media according to DIN 4754.

The valve with its actuator is designed to operate under exactly defined conditions (e.g. operating pressure, process medium, temperature). Therefore, operators must ensure that the control valve is only used in operating conditions that meet the specifications used for sizing the valve at the ordering stage. In case operators intend to use the control valve in applications or conditions other than those specified, contact SAMSON.

SAMSON does not assume any liability for damage resulting from the failure to use the device for its intended purpose or for damage caused by external forces or any other external factors.

→ Refer to the technical data and nameplate for limits and fields of application as well as possible uses.

## Reasonably foreseeable misuse

The control valve is not suitable for the following applications:

- Use outside the limits defined during sizing and by the technical data
- Use outside the limits defined by the valve accessories connected to the valve

Furthermore, the following activities do not comply with the intended use:

- Use of non-original spare parts
- Performing service and repair work not described

## Qualifications of operating personnel

The control valve must be mounted, started up, serviced and repaired by fully trained and qualified personnel only; the accepted industry codes and practices must be observed. According to these mounting and operating instructions, trained personnel refers to individuals who are able to judge the work they are assigned to and recognize possible hazards due to their specialized training, their knowledge and experience as well as their knowledge of the applicable standards.

Work on electrical installations is to be performed only by certified electricians and in compliance with all safety requirements.

Explosion-protected versions of this device must be operated only by personnel who has undergone special training or instructions or who is authorized to work on explosion-protected devices in hazardous areas.

## Safety instructions and measures

### Personal protective equipment

SAMSON recommends checking the hazards posed by the process medium being used (e.g. ► GESTIS (CLP) hazardous substances database). Depending on the process medium and/or the activity, the protective equipment required includes:

- Protective clothing, gloves, eye protection and respiratory protection in applications with hot, cold and/or corrosive media
  - Wear hearing protection when working near the valve
  - Hard hat
  - Safety harness, e.g. when working at height
  - Safety footwear, if applicable ESD (electrostatic discharge) footwear
- ➔ Check with the plant operator for details on further protective equipment.

### Revisions and other modifications

Revisions, conversions or other modifications of the product are not authorized by SAMSON. They are performed at the user's own risk and may lead to safety hazards, for example. Furthermore, the product may no longer meet the requirements for its intended use.

### Safety features

The fail-safe position of the control valve upon air supply or control signal failure depends on the actuator used (see associated actuator documentation). The fail-safe action of the actuator is the same as its direction of action and is specified on the nameplate of SAMSON actuators.

### Warning against residual hazards

To avoid personal injury or property damage, plant operators and operating personnel must prevent hazards that could be caused in the control valve by the process medium, the operating pressure, the signal pressure or by moving parts by taking appropriate precautions. Plant operators and operating personnel must observe all hazard statements, warnings and caution notes in these mounting and operating instructions.

Hazards resulting from the special working conditions at the installation site of the valve must be identified in a risk assessment and prevented through the corresponding safety instructions drawn up by the operator.

### Responsibilities of the operator

Operators are responsible for proper use and compliance with the safety regulations. Operators are obliged to provide these mounting and operating instructions as well as the referenced documents to the operating personnel and to instruct them in proper operation. Fur-

Furthermore, operators must ensure that operating personnel or third parties are not exposed to any danger.

Operators are additionally responsible for ensuring that the limits for the product defined in the technical data are observed. This also applies to the start-up and shutdown procedures. Start-up and shutdown procedures fall within the scope of the operator's duties and, as such, are not part of these mounting and operating instructions. SAMSON is unable to make any statements about these procedures since the operative details (e.g. differential pressures and temperatures) vary in each individual case and are only known to the operator.

### **Responsibilities of operating personnel**

Operating personnel must read and understand these mounting and operating instructions as well as the referenced documents and observe the specified hazard statements, warnings and caution notes. Furthermore, operating personnel must be familiar with the applicable health, safety and accident prevention regulations and comply with them.

### **Referenced standards, directives and regulations**

The control valves comply with the requirements of the European Pressure Equipment Directive 2014/68/EU. Valves with a CE marking have a declaration of conformity, which includes information about the applied conformity assessment procedure. The 'Certificates' chapter contains this declaration of conformity.

According to the ignition hazard assessment performed in accordance with Clause 5.2 of ISO 80079-36, the non-electrical control valves do not have their own potential ignition source even in the rare incident of an operating fault. As a result, they do not fall within the scope of Directive 2014/34/EU.

➔ For connection to the equipotential bonding system, observe the requirements specified in Clause 6.4 of EN 60079-14 (VDE 0165-1).

### **Referenced documents**

The following documents apply in addition to these mounting and operating instructions:

- Mounting and operating instructions for the mounted actuator, for example:
  - ▶ EB 8317 for SAMSON Type 3371 Pneumatic Actuator
  - ▶ EB 8313-X for SAMSON Type 3372 Pneumatic or Electropneumatic Actuator
  - ▶ EB 8331-X for SAMSON Type 3374 Electric Actuator
  - ▶ EB 5827-X for SAMSON Type 5827 Electric Actuator
- Mounting and operating instructions for mounted valve accessories (positioner, solenoid valve etc.)

## Safety instructions and measures

- When a substance is used in the device, which is listed as being a substance of very high concern on the candidate list of the REACH regulation:  
Information on safe use of the part affected ► [www.samsongroup.com](http://www.samsongroup.com) > About SAMSON > Environment, Social & Governance > Material Compliance > REACH  
If a device contains a substance listed as a substance of very high concern on the candidate list of the REACH regulation, this is indicated on the SAMSON delivery note.

### 1.1 Notes on possible severe personal injury

#### DANGER

##### **Risk of bursting in pressure equipment.**

Valves and pipelines are pressure equipment. Excessive pressurization or improper opening can lead to valve components bursting.

- Observe the maximum permissible pressure for valve and plant.
- Before starting any work on the control valve, depressurize all plant sections affected as well as the valve.
- Drain the process medium from the plant sections affected as well as from the valve.



**⚠ DANGER****Risk of fatal injury due to electric shock.**

- Do not remove any covers to perform adjustment work on live parts.
- Before performing any work on the device and before opening the device, disconnect the supply voltage and protect it against unintentional reconnection.
- Only use power interruption devices that are protected against unintentional reconnection of the power supply.
- Observe all other safety instructions in the associated documentation of the electric device (e.g. electric actuator).

## 1.2 Notes on possible personal injury

**⚠ WARNING****Risk of burn injuries due to hot or cold components and pipelines.**

Depending on the process medium, valve components and pipelines may get very hot or cold and cause burn injuries.

- Allow components and pipelines to cool down or warm up to the ambient temperature.
- Wear protective clothing and safety gloves.

**Risk of hearing loss or deafness due to loud noise.**

The noise emissions depend on the valve version, plant facilities and process medium.

- Wear hearing protection when working near the valve.

**Risk of personal injury due to exhaust air being vented from pneumatically operated components.**

While the valve is operating, the pneumatic actuator may vent during closed-loop control or when the valve opens or closes.

- Install the control valve in such a way that vent openings are not located at eye level and the actuator does not vent at eye level in the work position.
- Use suitable mufflers and vent plugs.
- Wear eye protection when working in close proximity to the control valve.

### **WARNING**

#### **Risk of personal injury due to preloaded springs in pneumatic actuators.**

Valves in combination with pneumatic actuators with preloaded springs are under tension. These control valves with SAMSON pneumatic actuators can be identified by the long bolts protruding from the bottom of the actuator.

- Before starting any work on the actuator, relieve the compression from the preloaded springs (see associated actuator documentation).

#### **Crush hazard arising from moving parts.**

The control valve contains moving parts (actuator and plug stem), which can injure hands or fingers if inserted into the valve.

- Do not insert hands or finger into the yoke while the air supply or voltage supply is connected to the actuator.
- Before working on the control valve, disconnect and lock the pneumatic air supply and the control signal or disconnect the supply voltage and protect it against unintentional reconnection.
- Do not impede the movement of the actuator and plug stem by inserting objects into the yoke.
- Before unblocking the actuator and plug stem after they have become blocked (e.g. due to seizing up after remaining in the same position for a long time), release any stored energy in the actuator (e.g. spring compression). See associated actuator documentation.

#### **Risk of personal injury due to residual process medium in the valve.**

While working on the valve, residual medium can flow out of the valve and, depending on its properties, cause personal injury, e.g. (chemical) burns.

- If possible, drain the process medium from the plant sections affected and from the valve.
- Wear protective clothing, safety gloves, respiratory protection and eye protection.

**⚠ WARNING****Exposure to hazardous substances poses a serious risk to health.**

Certain lubricants and cleaning agents are classified as hazardous substances. These substances have a special label and a material safety data sheet (MSDS) issued by the manufacturer.

- Make sure that an MSDS is available for any hazardous substance used. If necessary, contact the manufacturer to obtain an MSDS.
- Inform yourself about the hazardous substances and their correct handling.

**Risk of personal injury due to incorrect operation, use or installation as a result of information on the valve being illegible.**

Over time, markings, labels and nameplates on the valve may become covered with dirt or become illegible in some other way. As a result, hazards may go unnoticed and the necessary instructions not followed. There is a risk of personal injury.

- Keep all relevant markings and inscriptions on the device in a constantly legible state.
- Immediately renew damaged, missing or incorrect nameplates or labels.

## 1.3 Notes on possible property damage

**ⓘ NOTICE****Risk of damage to the electric control valve due to the supply voltage exceeding the permissible tolerances.**

The electric control valves are designed for use according to regulations for low-voltage installations.

- Observe the permissible tolerances of the supply voltage. See associated actuator documentation.

**Risk of valve damage due to contamination (e.g. solid particles) in the pipeline.**

The plant operator is responsible for cleaning the pipelines in the plant.

- Flush the pipelines before start-up.

### ! NOTICE

#### **Risk of valve damage due to unsuitable medium properties.**

The valve is designed for a process medium with defined properties.

→ Only use the process medium specified for sizing the equipment.

#### **Risk of leakage and valve damage due to over- or under-torquing.**

Observe the specified torques when tightening control valve components. Excessive tightening torques lead to parts wearing out more quickly. Parts that are too loose may cause leakage.

→ Observe the specified tightening torques.

#### **Risk of valve damage due to the use of unsuitable tools.**

Certain tools are required to work on the valve.

→ Only use tools approved by SAMSON.

#### **Risk of valve damage due to the use of unsuitable lubricants.**

The lubricants to be used depend on the valve material. Unsuitable lubricants may corrode and damage surfaces.


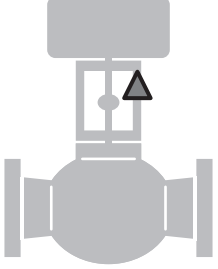
→ Only use lubricants approved by SAMSON.

#### **Risk of the process medium being contaminated through the use of unsuitable lubricants and/or contaminated tools and components.**

→ If necessary, keep the valve and the tools used free from solvents and grease.

→ Make sure that only suitable lubricants are used.

## 1.4 Warnings on the device

Warning symbols	Meaning of the warning	Location on the device
	<p>Warning against moving parts                      There is a risk of injury to hands or fingers due to the stroking movement of the actuator and plug stem if they are inserted into the yoke while the air supply or voltage supply is connected to the actuator.</p>	



## 2 Markings on the device

The nameplate shown was up to date at the time of publication of this document. The nameplate on the device may differ from the one shown.

### 2.1 Valve nameplate

The DIN or ANSI versions have different specifications on the nameplates.

#### DIN version

1	Valve type	9	Pressure rating
2	Model number	11	Permissible temperature (°C)
3	Model number index	12	Body material
4	Order number or date		
5	$K_{VS}$ coefficient		
8	Nominal size		

#### ANSI version

1	Valve type	10	Body material
2	Model number	11	$C_V$ coefficient ( $K_{VS} \times 1.17$ )
3	Model number index	12	Pressure rating (Class)
4	Order number or date		
5	Nominal size		
9	Permissible temperature [°F]		

## 2.2 Actuator nameplate

See associated actuator documentation.



### 3 Design and principle of operation

The medium flows through the valve in the direction indicated by the arrow. The plug (3) is moved by changing the control signal applied to the actuator.

The plug stem is sealed by a bellows seal and an additional packing (4.2) and is connected to the actuator stem (8.1) by the stem connector (7).

#### 3.1 Versions

##### Actuators

The Type 3531 Globe Valve has a modular design and can be combined with pneumatic or electric actuators (as follows):

Valve		Type ... Actuator
V2001-P	Pneumatic	3372-01xx
V2001-PA		2780-2
V2001-IP	Electropneumatic	3372-03xx
V2001-E1	Electric	5827-N3
V2001-E3		3374

#### 3.2 Additional fittings

##### Strainers

SAMSON recommends installing a SAMSON strainer upstream of the valve. It prevents solid particles in the process medium from damaging the valve.

##### Bypass and shut-off valves

SAMSON recommends installing a shut-off valve both upstream of the strainer and downstream of the valve and installing a bypass line. The bypass ensures that the plant does not need to be shut down for service and repair work on the valve.

##### Safety guard

For operating conditions that require increased safety (e.g. in cases where the valve is freely accessible to untrained staff), a safety guard must be installed to rule out a crush hazard arising from moving parts (actuator and plug stem). Plant operators are responsible for deciding whether a guard is to be used. The decision is based on the risk posed by the plant and its operating conditions.

Design and principle of operation

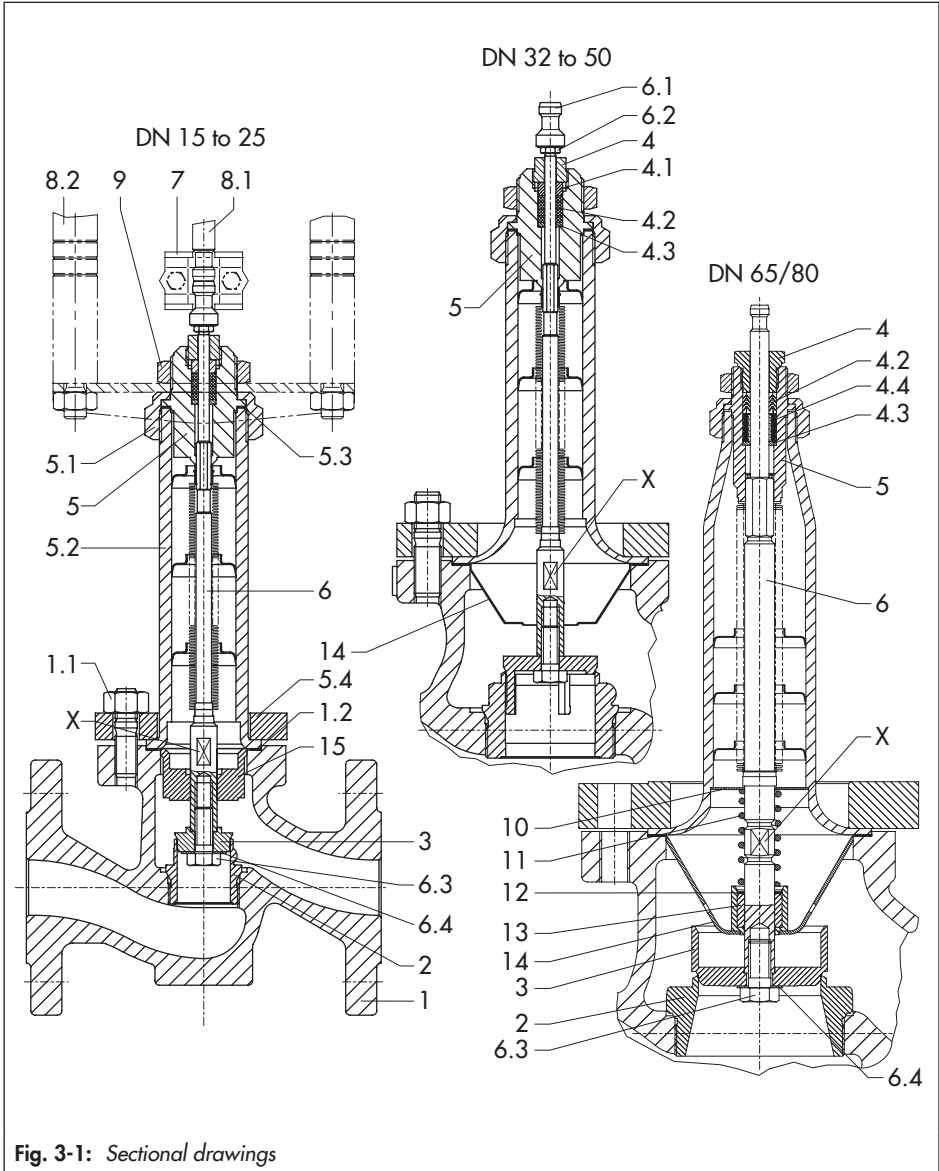


Fig. 3-1: Sectional drawings

1	Valve body	6	Plug stem
1.1	Nuts	6.1	Stem connector nut
1.2	Gasket	6.2	Lock nut
2	Seat	6.3	Screw
3	Plug	6.4	Retaining washer
4	Threaded bushing	7	Stem connector
4.1	Bushing	8.1	Actuator stem
4.2	Packing	8.2	Rod-type yoke
4.2	Washer	9	Nut
4.4	Spring (DN 65/80)	10	Washer
5	Bellows seal with plug stem and metal bellows	11	Spring
5.1	Coupling nut	12	Washer
5.2	Bellows housing	13	Bushing
5.3	Gasket	14	Cover
5.4	Flange	15	Guide
		X	Position for open-end wrench

### 3.3 Technical data

The nameplates on the valve and actuator provide information on the control valve version. See the 'Markings on the device' chapter.

#### Noise emissions

SAMSON is unable to make general statements about noise emissions. The noise emissions depend on the valve version, plant facilities and process medium.

## Design and principle of operation

**Table 3-1:** Technical data for Type 3531

Nominal size	DN 15 to 80			NPS ½ to 3	
Material	Spheroidal graphite iron EN-GJS-400-18-LT	Cast steel 1.0619	Stainless steel 1.4408	Cast steel A216 WCC	Stainless steel A351 CF8M
Pressure rating	PN 25			Class 150	
Connection Flanges	EN 1092-1 form B1, Ra 3.2 to 12.5 µm EN 1092-1, groove form D			Raised face	
Seat-plug seal	Metal seal				
Characteristic	Equal percentage				
Rangeability	50 : 1				
Temperature range	-10 to +350 °C			14 to 660 °F	
Leakage class	according to IEC 60534-4: Metal seal: Class IV Type 3531-E1: Class I (0.05 % of K <sub>VS</sub> coefficient)			According to DIN EN 1349 Metal seal: Class IV	
Conformity	<b>CE · EAC</b>				

**Table 3-2:** Materials

Nominal size	DN 15 to 80			NPS ½ to 3	
Valve body	Spheroidal graphite iron EN-GJS-400-18-LT	Cast steel 1.0619	Stainless steel 1.4408	Cast steel A216 WCC	Stainless steel A351 CF8M
Valve bonnet	1.0460		1.4408	A105	A351 CF8M
Seat	Up to DN 50: 1.4401/1.4404 DN 65 and larger: 1.4006		1.4401/ 1.4404	Up to NPS 2: A479 316/ A479 316L NPS 2½ and larger: A276 410 T	A479 316/ A479 316L
Plug	Up to DN 50: 1.4305 DN 65 and larger: 1.4104			Up to NPS 2: 1.4305 NPS 2½ and larger: A582 430F	
Bellows seal	1.4571			A479 316Ti	
Packing	PTFE				
Body gasket	Graphite on metal core				

**Table 3-3:** Nominal sizes (DN),  $K_{VS}$  coefficients, seat diameters and travel

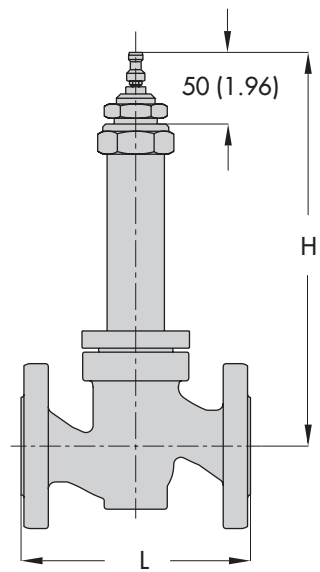
Nominal size	DN	15		20		25		32	40	50	65	80
$K_{VS}$ coefficient		1.6	4	2.5	6.3	4	10	16	25	35	50	80
Seat $\varnothing$	mm	9.5	19	14	22	19	24	32	40	40	65	
Rated travel	mm	15										

**Table 3-3.1:** Nominal sizes (NPS),  $C_V$  coefficients, seat diameters and travel

Nominal size	NPS	1/2		3/4		1		1 1/2	2	2 1/2	3	
$C_V$ coefficient		2	5	3	7.5	5	12	30	40	60	94	
Seat $\varnothing$	in	0.37	0.75	0.55	0.86	0.75	0.94	1.25	1.57	2.56		
Rated travel	in	0.59										

**Table 3-4:** Dimensions in mm and inches

DIN version		ANSI version			
DN	L (mm)	L (inch)		H (mm) <sup>2)</sup>	H (inch) <sup>2)</sup>
		Class 150	Class 300 <sup>1)</sup>		
15	130	7.25	7.50	270	10.63
20	150		7.62		
25	160		7.75		
32	180	8.75	9.25	280	11.02
40	200		10.50		
50	230		11.50		
65	290	10.90	11.50	390	15.35
80	310		12.50		



**Fig. 3-2:** Dimensional drawing

1) Max. operating pressure 25 bar

2) Plug in the closed position

### **i** Note

Refer to the following data sheets for more information:

▶ T 8131 and ▶ T 8132

The associated actuator documentation applies to actuators, e.g. SAMSON actuators:

▶ T 8317 for SAMSON Type 3371 Pneumatic Actuator

▶ T 8313 for SAMSON Type 3372 Pneumatic or Electropneumatic Actuator

▶ T 8331 for SAMSON Type 3374 Electric Actuator

▶ T 5827 for SAMSON Type 5827 Electric Actuator

---

## 4 Shipment and on-site transport

The work described in this chapter is to be performed only by personnel appropriately qualified to carry out such tasks.

### 4.1 Accepting the delivered goods

After receiving the shipment, proceed as follows:

1. Check the scope of delivery. Check that the specifications on the valve nameplate match the specifications in the delivery note. See the 'Markings on the device' chapter for nameplate details.
2. Check the shipment for transportation damage. Report any damage to SAMSON and the forwarding agent (refer to delivery note).
3. Determine the weight and dimensions of the units to be lifted and transported in order to select the appropriate lifting equipment and lifting accessories, if required. Refer to the transport documents and the 'Technical data' chapter.

### 4.2 Removing the packaging from the valve

Observe the following sequence:

- Do not open or remove the packaging until immediately before lifting to install the valve into the pipeline.

- Leave the control valve in its transport container or on the pallet to transport it on site.
- Do not remove the protective caps from the inlet and outlet until immediately before installing the valve into the pipeline. They prevent foreign particles from entering the valve.
- Dispose and recycle the packaging in accordance with the local regulations.

### 4.3 Transporting and lifting the valve

---

#### **⚠ DANGER**

***Danger due to suspended loads falling.***

- *Stay clear of suspended or moving loads.*
  - *Close off and secure the transport paths.*
- 

#### **⚠ WARNING**

***Risk of lifting equipment tipping over and risk of damage to lifting accessories due to exceeding the rated lifting capacity.***

- *Only use approved lifting equipment and accessories whose minimum lifting capacity is higher than the weight of the valve (including actuator and packaging, if applicable).*
-

### **⚠ WARNING**

**Risk of personal injury due to the control valve tipping over.**

- Observe the valve's center of gravity.
- Secure the valve against tipping over or turning.

### **⚠ WARNING**

**Risk of injury due to incorrect lifting without the use of lifting equipment.**

Lifting the control valve without the use of lifting equipment may lead to injuries (back injury in particular) depending on the weight of the control valve.

- Observe the occupational health and safety regulations valid in the country of use.

### **ⓘ NOTICE**

**Risk of valve damage due to incorrectly attached slings.**

- When lifting the control valve, make sure that the slings attached to the valve body bear the entire load.
- Do not attach load-bearing slings to the actuator or any mounting parts.
- Only use slings which are not attached to the valve body to protect the control valve from tilting while being lifted.
- Observe lifting instructions (see Chapter 4.3.2).

### **💡 Tip**

Our after-sales service can provide more detailed transport and lifting instructions on request.

## 4.3.1 Transporting the valve

The control valve can be transported using lifting equipment (e.g. crane or forklift).

- Leave the control valve in its transport container or on the pallet to transport it.
- Observe the transport instructions.

### **Transport instructions**

- Protect the control valve against external influences (e.g. impact).
- Do not damage the corrosion protection (paint, surface coatings). Repair any damage immediately.
- Protect the piping and any mounted valve accessories against damage.
- Protect the control valve against moisture and dirt.
- The permissible transportation temperature of standard control valves is  $-20$  to  $+65$  °C.

### **i Note**

Contact our after-sales service for the transportation temperatures of other valve versions.



### 4.3.2 Lifting the valve

To install a large valve into the pipeline, use lifting equipment (e.g. crane or forklift) to lift it.

#### Lifting instructions

- Use a hook with safety latch to secure the slings from slipping off the hook during lifting and transporting.
- Secure slings against slipping.
- Make sure the slings can be removed from the device once it has been installed into the pipeline.
- Prevent the control valve from tilting or tipping over.
- Do not leave loads suspended when interrupting work for longer periods of time.

#### Lifting the control valve

1. Attach one sling to each flange of the body and to the rigging equipment (e.g. hook) of the crane or forklift.
2. If necessary, attach further slings to the control valve and rigging equipment to secure the position of the control valve while it is being lifted.
3. Carefully lift the control valve. Check whether the lifting equipment and accessories can bear the weight.
4. Move the control valve at an even pace to the site of installation.
5. Install the valve into the pipeline (see the 'Installation' chapter).

6. After installation in the pipeline, check whether the flanges are bolted tight and the valve in the pipeline holds.
7. Remove slings.

### 4.4 Storing the valve

---

#### **!** NOTICE

***Risk of valve damage due to improper storage.***

- *Observe the storage instructions.*
  - *Avoid long storage times.*
  - *Contact SAMSON in case of different storage conditions or longer storage times.*
- 

#### **i** Note

*SAMSON recommends to regularly check the control valve and the prevailing storage conditions during long storage periods.*

---

#### Storage instructions

- Protect the control valve against external influences (e.g. impact).
- Do not damage the corrosion protection (paint, surface coatings). Repair any damage immediately.
- Protect the control valve against moisture and dirt. Store it at a relative humidity of less than 75 %. In damp spaces, prevent condensation. If necessary, use a drying agent or heating.
- Make sure that the ambient air is free of acids or other corrosive media.

## Shipment and on-site transport

- The permissible storage temperature of standard control valves is  $-20$  to  $+65$  °C. Contact our after-sales service for the storage temperatures of other valve versions.
- Do not place any objects on the control valve.

### Special storage instructions for elastomers

Elastomer, e.g. actuator diaphragm

- To keep elastomers in shape and to prevent cracking, do not bend them or hang them up.
- SAMSON recommends a storage temperature of  $15$  °C for elastomers.
- Store elastomers away from lubricants, chemicals, solutions and fuels.



#### Tip

*SAMSON's After-sales Service can provide more detailed storage instructions on request.*

---

## 5 Installation

The work described in this chapter is to be performed only by personnel appropriately qualified to carry out such tasks.

### 5.1 Installation conditions

#### Work position

The work position for the control valve is the front view looking onto the operating controls (including valve accessories).

Plant operators must ensure that, after installation of the device, the operating personnel can perform all necessary work safely and easily access the device from the work position.

#### Pipeline routing

To ensure that the control valve functions properly, the pipeline must be straight and without any manifolds or disturbances for a distance of at least 6 times the nominal size (DN) upstream and downstream of the valve.

Make sure the following conditions are met:

- Contact SAMSON if the undisturbed installation lengths are significantly shorter than recommended by SAMSON or if the valve conditions or states of the medium process are different than specified.
- Install the valve free of stress and with the least amount of vibrations as possible. Read information under “Mounting position” and “Support or suspension” in this chapter.
- Install the valve allowing sufficient space to remove the actuator and valve or to

perform service and repair work on them.

#### Mounting position

The valve can be mounted in any desired position.

- Observe the restrictions for the actuator used.

#### Support or suspension

---

##### **i Note**

*The plant engineering company is responsible for selecting and implementing a suitable support or suspension of the pipeline*

---

Depending on the valve version and mounting position, the pipeline must be supported or suspended close to the joints.

Do not attach supports directly to the valve or actuator.

#### Valve accessories

During connection of valve accessories, make sure that they are easily accessible and can be operated safely from the work position.

#### Vent plugs

Vent plugs are screwed into the exhaust air ports of pneumatic and electropneumatic devices. They ensure that any exhaust air that forms can be vented to the atmosphere (to avoid excess pressure in the device). Furthermore, the vent plugs allow air intake to prevent a vacuum from forming in the device.

## Installation

- Locate the vent plug on the opposite side to the work position of operating personnel.

### 5.2 Preparation for installation

Before installation, make sure the following conditions are met:

- The valve is clean.
- The valve and all valve accessories (including piping) are not damaged.
- The valve data on the nameplate (type designation, nominal size, material, pressure rating and temperature range) match the plant conditions (nominal size and pressure rating of the pipeline, medium temperature etc.). See the 'Markings on the device' chapter for nameplate details.
- The requested or required additional pipe fittings (see section 'Additional fittings' in the 'Design and principle of operation' chapter) have been installed or prepared as necessary before installing the valve.

Proceed as follows:

- Lay out the necessary material and tools to have them ready during installation work.
- Flush the pipelines.

---

#### **i** Note

*The plant operator is responsible for cleaning the pipelines in the plant.*

---

- For steam applications, dry the pipelines. Moisture will damage the inside of the valve.
- Check any mounted pressure gauges to make sure they function properly.
- When the valve and actuator are already assembled, check the tightening torques of the bolted joints. Components may loosen during transport.

### 5.3 Mounting the device

The activities listed below are necessary to install the valve and before it can be started up.

---

#### **!** NOTICE

**Risk of control valve damage due to over- or under-torquing.**

*Observe the specified torques when tightening control valve components. Excessive tightening torques lead to parts wearing out more quickly. Parts that are too loose may cause leakage.*

- *Observe the specified tightening torques.*

---

#### **!** NOTICE

**Risk of valve damage due to the use of unsuitable tools.**

- *Only use tools approved by SAMSON.*
-

### 5.3.1 Mounting the actuator onto the valve

#### **⚠ WARNING**

**Risk of personal injury due to preloaded springs in pneumatic actuators.**

Actuators with preloaded springs are under tension. They can be identified by the long bolts protruding from the bottom of the actuator.

- ➔ Before starting any work on the actuator, relieve the compression from the preloaded springs (see associated actuator documentation).

#### **⚠ DANGER**

**Risk of fatal injury due to electric shock.**

- ➔ Do not remove any covers to perform adjustment work on live parts.
- ➔ Before performing any work on the device and before opening the device, disconnect the supply voltage and protect it against unintentional reconnection.
- ➔ Only use power interruption devices that are protected against unintentional reconnection of the power supply.

Depending on the version, SAMSON control valves are either delivered with the actuator already mounted on the valve or the valve and actuator are delivered separately. When delivered separately, the valve and actuator must be assembled together on site.

#### Mounting the actuator

- ➔ To mount the actuator, proceed as described in the associated actuator documentation.

### 5.3.2 Installing the valve into the pipeline

#### **ⓘ NOTICE**

**Premature wear and leakage due to insufficient support or suspension.**

- ➔ Support or suspend the valve sufficiently at suitable points.

1. Close the shut-off valves in the pipeline at the inlet and outlet of the plant section while the valve is being installed.
2. Prepare the relevant section of the pipeline for installing the valve.
3. Remove the protective caps from the valve ports before installing the valve.
4. Lift the valve using suitable lifting equipment to the site of installation (see section 'Lifting the valve' in the 'Shipment and on-site transport' chapter). Observe the flow direction through the valve. The arrow on the valve indicates the direction of flow.
5. Make sure that the correct flange gaskets are used.
6. Bolt the pipe to the valve free of stress.
7. Attach a support or suspension on the valve, if necessary.

## 5.4 Testing the installed valve

### **⚠ DANGER**

**Risk of bursting due to incorrect opening of pressurized equipment or components.**

Valves and pipelines are pressure equipment that may burst when handled incorrectly. Flying projectile fragments or the release of process medium under pressure can cause serious injury or even death.

Before working on the control valve:

- Depressurize all plant sections affected and the valve (including the actuator). Release any stored energy.
- Drain the process medium from the plant sections affected as well as from the valve.

### **⚠ WARNING**

**Risk of hearing loss or deafness due to loud noise.**

Noise emission (e.g. cavitation or flashing) may occur during operation caused by the process medium and the operating conditions. Additionally, a loud noise may briefly occur through the sudden venting of the pneumatic actuator or pneumatic valve accessories not fitted with noise-reducing fittings. Both can damage hearing.

- Wear hearing protection when working near the valve.

### **⚠ WARNING**

**Crush hazard arising from actuator and plug stem moving.**

- Do not insert hands or finger into the yoke while the air supply or voltage supply is connected to the actuator.
- Before working on the control valve, disconnect and lock the pneumatic air supply and the control signal or disconnect the supply voltage and protect it against unintentional reconnection.
- Do not impede the movement of the actuator and plug stem by inserting objects into the yoke.
- Before unblocking the actuator and plug stem after they have become blocked (e.g. due to seizing up after remaining in the same position for a long time), release any stored energy in the actuator (e.g. spring compression). See associated actuator documentation.

### **⚠ WARNING**

**Risk of personal injury due to exhaust air being vented from pneumatic devices.**

While the valve is operating, the pneumatic actuator may vent during closed-loop control or when the valve opens or closes.

- Wear eye protection when working in close proximity to the control valve.

To test the valve functioning before start-up or putting back the valve into operation, perform the following tests:

### 5.4.1 Leakage

The plant operator is responsible for performing the leak test and selecting the test method. The leak test must comply with the requirements of the national and international standards that apply at the site of installation.



#### Tip

*Our after-sales service can support you to plan and perform a leak test for your plant.*

---

1. Close the valve.
  2. Slowly apply the test medium to the inlet space upstream of the valve. A sudden surge in pressure and resulting high flow velocities can damage the valve.
  3. Open the valve.
  4. Apply the required test pressure.
  5. Check the valve for leakage to the atmosphere.
  6. Depressurize the pipeline section and valve.
  7. Rework any parts that leak and repeat the leak test.
- If the metal bellows and packing do not seal the plug stem properly, contact our after-sales service or replace the bellows and packing (see the 'Servicing' chapter).

### 5.4.2 Travel motion

The movement of the actuator stem must be linear and smooth.

- Apply the maximum and minimum control signals to check the end positions of the valve while observing the movement of the actuator stem.
- Check the travel reading at the travel indicator scale.

### 5.4.3 Fail-safe position

#### Fail-safe position with pneumatic actuators

- Shut off the signal pressure line.
- Check whether the valve moves to the fail-safe position (see the associated actuator documentation).

#### Fail-safe position for electric actuators with fail-safe action

- Switch off the supply voltage.
- Check whether the valve moves to the fail-safe position (see the associated actuator documentation).

### 5.4.4 Pressure test

The plant operator is responsible for performing the pressure test.



#### Tip

*Our after-sales service can support you to plan and perform a pressure test for your plant.*

---

## Installation

During the pressure test, make sure the following conditions are met:

- Retract the plug stem to open the valve.
- Observe the maximum permissible pressure for both the valve and plant.



## 6 Start-up

The work described in this chapter is to be performed only by personnel appropriately qualified to carry out such tasks.

### **⚠ WARNING**

#### **Risk of burn injuries due to hot or cold components and pipeline.**

Valve components and the pipeline may become very hot or cold. Risk of burn injuries.

- Allow components and pipelines to cool down or warm up to the ambient temperature.
- Wear protective clothing and safety gloves.

### **⚠ WARNING**

#### **Risk of hearing loss or deafness due to loud noise.**

Noise emission (e.g. cavitation or flashing) may occur during operation caused by the process medium and the operating conditions. Additionally, a loud noise may briefly occur through the sudden venting of the pneumatic actuator or pneumatic valve accessories not fitted with noise-reducing fittings. Both can damage hearing.

- Wear hearing protection when working near the valve.

### **⚠ WARNING**

#### **Crush hazard arising from actuator and plug stem moving.**

- Do not insert hands or finger into the yoke while the air supply or voltage supply is connected to the actuator.
- Before working on the control valve, disconnect and lock the pneumatic air supply and the control signal or disconnect the supply voltage and protect it against unintentional reconnection.
- Do not impede the movement of the actuator and plug stem by inserting objects into the yoke.
- Before unblocking the actuator and plug stem after they have become blocked (e.g. due to seizing up after remaining in the same position for a long time), release any stored energy in the actuator (e.g. spring compression). See associated actuator documentation.

### **⚠ WARNING**

#### **Risk of personal injury due to exhaust air being vented from pneumatic devices.**

While the valve is operating, the pneumatic actuator may vent during closed-loop control or when the valve opens or closes.

- Wear eye protection when working in close proximity to the control valve.

## Start-up

Before start-up or putting the valve back into service, make sure the following conditions are met:

- The control valve is properly installed in the pipeline (see the 'Installation' chapter).
- The leak and function tests have been completed successfully (see section 'Testing the installed valve' in the 'Installation' chapter).
- The prevailing conditions in the plant section concerned meet the valve sizing requirements (see section 'Intended use' in the 'Safety instructions and measures' chapter).

### Start-up/putting the device back into operation

1. Allow the valve to cool down or warm up to reach ambient temperature before start-up when the ambient temperature and process medium temperature differ greatly or the medium properties require such a measure.
2. Slowly open the shut-off valves in the pipeline. Slowly opening these valves prevents a sudden surge in pressure and high flow velocities which can damage the valve.
3. Check the valve to ensure it functions properly.

## 7 Operation

Immediately after completing start-up or putting the valve back into operation, the valve is ready for use.

### **⚠ WARNING**

#### **Risk of burn injuries due to hot or cold components and pipeline.**

Valve components and the pipeline may become very hot or cold. Risk of burn injuries.

- Allow components and pipelines to cool down or warm up to the ambient temperature.
- Wear protective clothing and safety gloves.

### **⚠ WARNING**

#### **Risk of hearing loss or deafness due to loud noise.**

Noise emission (e.g. cavitation or flashing) may occur during operation caused by the process medium and the operating conditions. Additionally, a loud noise may briefly occur through the sudden venting of the pneumatic actuator or pneumatic valve accessories not fitted with noise-reducing fittings. Both can damage hearing.

- Wear hearing protection when working near the valve.

### **⚠ WARNING**

#### **Crush hazard arising from actuator and plug stem moving.**

- Do not insert hands or finger into the yoke while the air supply or voltage supply is connected to the actuator.
- Before working on the control valve, disconnect and lock the pneumatic air supply and the control signal or disconnect the supply voltage and protect it against unintentional reconnection.
- Do not impede the movement of the actuator and plug stem by inserting objects into the yoke.
- Before unblocking the actuator and plug stem after they have become blocked (e.g. due to seizing up after remaining in the same position for a long time), release any stored energy in the actuator (e.g. spring compression). See associated actuator documentation.

### **⚠ WARNING**

#### **Risk of personal injury due to exhaust air being vented from pneumatic devices.**

While the valve is operating, the pneumatic actuator may vent during closed-loop control or when the valve opens or closes.

- Wear eye protection when working in close proximity to the control valve.

### Operation

The operating instructions only apply in conjunction with the actuator. Refer to the corresponding mounting and operating instructions.



## 8 Malfunctions

Read hazard statements, warnings and caution notes in the 'Safety instructions and measures' chapter.

### 8.1 Troubleshooting

Malfunction	Possible reasons	Recommended action
Actuator and plug stem does not move on demand.	Actuator is blocked.	Put the control valve out of operation (see the 'Decommissioning' chapter) and remove the blockage. <b>WARNING!</b> A blocked actuator or plug stem (e.g. due to seizing up after remaining in the same position for a long time) can suddenly start to move uncontrollably. Injury to hands or fingers is possible if they are inserted into the actuator or valve. Before trying to unblock the actuator or plug stem, disconnect and lock the pneumatic air supply as well as the control signal or disconnect the supply voltage and protect it against unintentional reconnection. Before unblocking the actuator, release any stored energy in the actuator (e.g. spring compression). See associated actuator documentation.
	Pneumatic actuators: diaphragm in the actuator defective	See associated actuator documentation.
	Pneumatic actuators: signal pressure too low	Check the signal pressure. Check the signal pressure line for leakage.
	Electric actuators: no or incorrect supply voltage connected	Check the supply voltage and connections.
Actuator and plug stem does not stroke through the full range.	Pneumatic actuators: signal pressure too low	Check the signal pressure. Check the signal pressure line for leakage.
	Electric actuators: no or incorrect supply voltage connected	Check the supply voltage and connections.

## Malfunctions

Malfunction	Possible reasons	Recommended action
Increased flow through closed valve (seat leakage)	Dirt or other foreign particles deposited between the seat and plug.	Shut off the section of the pipeline and flush the valve.
	Valve trim is worn out.	Replace the seat and plug (see the 'Servicing' chapter).
The valve leaks to the atmosphere (fugitive emissions).	Metal bellows and packing defective	Replace metal bellows and packing of the plug stem (see the 'Servicing' chapter).
	Flanged joint loose or gasket worn out	Check the flanged joint. Replace the gasket on the flanged joint.

---

### **i** Note

Contact our after-sales service for malfunctions not listed in the table.

---

## 8.2 Emergency action

The valve, on which the actuator with fail-safe action is mounted, is moved to its fail-safe position upon failure of the supply voltage or signal pressure (see the associated actuator documentation).

Plant operators are responsible for emergency action to be taken in the plant.

In the event of a valve malfunction:

1. Close the shut-off valves upstream and downstream of the control valve to stop the process medium from flowing through the valve.
2. Perform troubleshooting (see Chapter 8.1).
3. Rectify those malfunctions that can be remedied following the information given in this document. Contact our after-sales service in all other cases.

### **Putting the device back into operation after a malfunction**

See the 'Start-up' chapter.





## 9 Servicing

The work described in this chapter is to be performed only by personnel appropriately qualified to carry out such tasks.

The following documents are also required for servicing the valve:

- Mounting and operating instructions for the mounted actuator, e.g. ▶ EB 8317 for SAMSON's Type 3371 Pneumatic Actuator
  - ▶ EB 8313 for SAMSON Type 3372 Pneumatic or Electropneumatic Actuator
  - ▶ EB 8331-X for SAMSON Type 3374 Electric Actuator
  - ▶ EB 5827-X for SAMSON Type 5827 Electric Actuator

### **⚠ DANGER**

#### **Risk of bursting due to incorrect opening of pressurized equipment or components.**

Valves and pipelines are pressure equipment that may burst when handled incorrectly.

Flying projectile fragments or the release of process medium under pressure can cause serious injury or even death.

Before working on the control valve:

- ➔ Depressurize all plant sections affected and the valve (including the actuator). Release any stored energy.
- ➔ Drain the process medium from the plant sections affected as well as from the valve.

### **⚠ DANGER**

#### **Risk of fatal injury due to electric shock.**

- ➔ Do not remove any covers to perform adjustment work on live parts.
- ➔ Before performing any work on the device and before opening the device, disconnect the supply voltage and protect it against unintentional reconnection.
- ➔ Only use power interruption devices that are protected against unintentional reconnection of the power supply.

### **⚠ WARNING**

#### **Risk of burn injuries due to hot or cold components and pipeline.**

Valve components and the pipeline may become very hot or cold. Risk of burn injuries.

- ➔ Allow components and pipelines to cool down or warm up to the ambient temperature.
- ➔ Wear protective clothing and safety gloves.

### **⚠ WARNING**

#### **Risk of hearing loss or deafness due to loud noise.**

Noise emission (e.g. cavitation or flashing) may occur during operation caused by the process medium and the operating conditions. Additionally, a loud noise may briefly occur through the sudden venting of the pneumatic actuator or pneumatic valve accessories not fitted with noise-reducing fittings. Both can damage hearing.

## Servicing

- Wear hearing protection when working near the valve.

---

### **⚠ WARNING**

#### **Crush hazard arising from actuator and plug stem moving.**

- Do not insert hands or finger into the yoke while the air supply or voltage supply is connected to the actuator.
- Before working on the control valve, disconnect and lock the pneumatic air supply and the control signal or disconnect the supply voltage and protect it against unintentional reconnection.
- Do not impede the movement of the actuator and plug stem by inserting objects into the yoke.
- Before unblocking the actuator and plug stem after they have become blocked (e.g. due to seizing up after remaining in the same position for a long time), release any stored energy in the actuator (e.g. spring compression). See associated actuator documentation.

---

### **⚠ WARNING**

#### **Risk of personal injury due to exhaust air being vented from pneumatic devices.**

While the valve is operating, the pneumatic actuator may vent during closed-loop control or when the valve opens or closes.

- Wear eye protection when working in close proximity to the control valve.

---

### **⚠ WARNING**

#### **Risk of personal injury due to preloaded springs in pneumatic actuators.**

Actuators with preloaded springs are under tension. They can be identified by the long bolts protruding from the bottom of the actuator.

- Before starting any work on the actuator, relieve the compression from the preloaded springs (see associated actuator documentation).

---

### **⚠ WARNING**

#### **Risk of personal injury due to residual process medium in the valve.**

While working on the valve, residual medium can flow out of the valve and, depending on its properties, cause personal injury, e.g. (chemical) burns.

- Wear protective clothing, safety gloves, respiratory protection and eye protection.

---

### **ⓘ NOTICE**

#### **Risk of control valve damage due to over- or under-torquing.**

Observe the specified torques when tightening control valve components. Excessive tightening torques lead to parts wearing out more quickly. Parts that are too loose may cause leakage.

- Observe the specified tightening torques.

**!** NOTICE

**Risk of valve damage due to the use of unsuitable tools.**

→ Only use tools approved by SAMSON.

**!** NOTICE

**Risk of valve damage due to the use of unsuitable lubricants.**

→ Only use lubricants approved by SAMSON.

**i** Note

The control valve was checked by SAMSON before delivery.

- Certain test results certified by SAMSON lose their validity when the valve is opened. Such testing includes seat leakage and leak tests.
- The product warranty becomes void if service or repair work not described in these instructions is performed without prior agreement by SAMSON's After-sales Service.
- Only use original spare parts by SAMSON, which comply with the original specifications.

## 9.1 Periodic testing

Depending on the operating conditions, check the valve at certain intervals to prevent possible failure before it can occur. Plant operators are responsible for drawing up an inspection and test plan.

**💡** Tip

Our after-sales service can support you in drawing up an inspection and test plan for your plant.

## 9.2 Service work preparations

1. Lay out the necessary material and tools to have them ready for the service work.
2. Put the control valve out of operation (see the 'Decommissioning' chapter).
3. Remove the actuator from the valve. Unscrew the screws on the stem connector (7) and the nut (9). Lift the actuator off the valve.

**💡** Tip

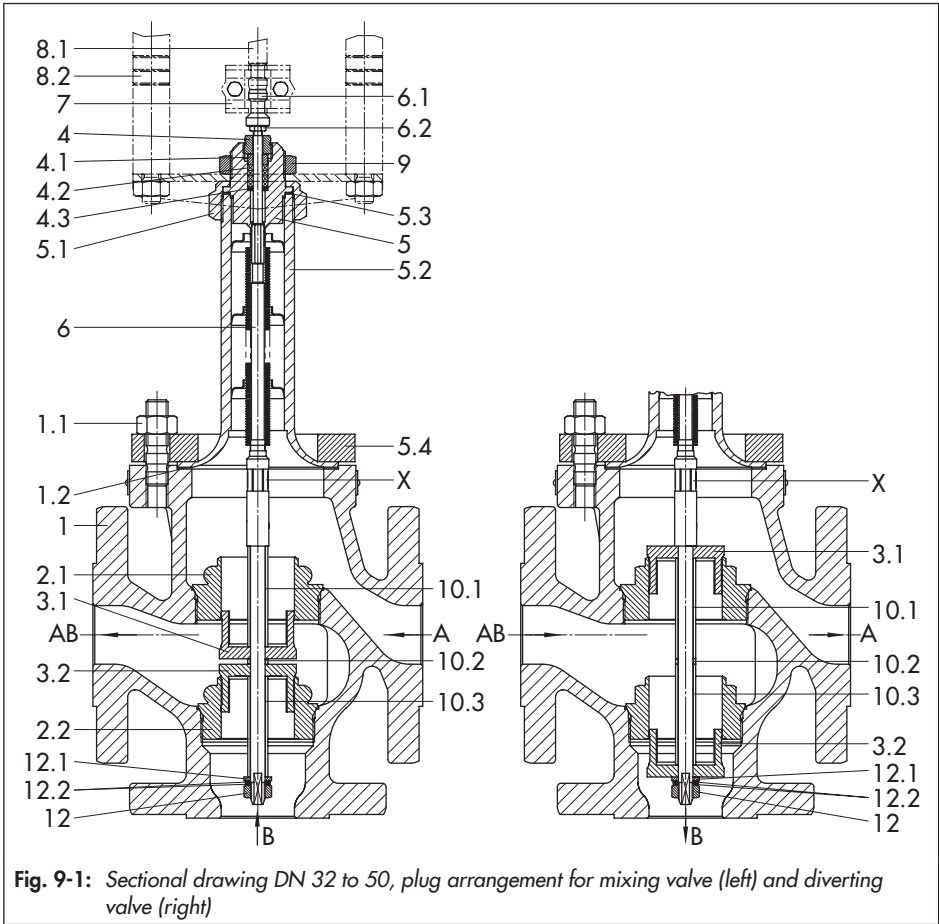
SAMSON recommends removing the valve from the pipeline before performing any service work (see the 'Removal' chapter).

The following service work can be performed after preparation is completed:

- Replace the metal bellows (see Chapter 9.4.1)
- Replace the seat and plug (see Chapter 9.4.2)

## 9.3 Installing the valve after service work

1. Mount actuator. See associated actuator documentation and the 'Installation' chapter.



1	Valve body	5	Bellows seal with plug stem	9	Nut
1.1	Nuts	5.1	Coupling nut	10.1	Sleeve
1.2	Gasket	5.2	Bellows housing	10.2	Short sleeve
2.1	Top seat	5.3	Gasket	10.3	Sleeve
2.2	Bottom seat	5.4	Flange	12	Nut
3.1	Top plug	6	Plug stem	12.1	Washer
3.2	Bottom plug	6.1	Stem connector nut	12.2	Retaining washers
4	Threaded bushing	6.2	Lock nut	X	Position for open-end wrench
4.1	Bushing	7	Stem connector		
4.2	Packing (spring-loaded for DN 65 and larger)	8.1	Actuator stem		
4.3	Washer	8.2	Rod-type yoke		

2. Adjust lower or upper signal bench range. See associated actuator documentation.
3. If the valve has been removed, re-install the valve into the pipeline (see the 'Installation' chapter).
4. Put the control valve back into operation (see the 'Start-up' chapter). Observe the requirements and conditions for start-up or putting the valve back into operation.

## 9.4 Service work

- Before performing any service work, preparations must be made to the control valve (see Chapter 9.2).
- SAMSON recommends thoroughly cleaning removed parts and, if necessary, replacing them with new ones.
- After all service work is completed, check the control valve before putting it back into operation (see section 'Testing the installed valve' in the 'Installation' chapter).

### 9.4.1 Replacing the metal bellows

If the packing leaks, this is due to a defective bellows seal. In this case, the entire bellows seal assembly must be replaced together with the packing (4.2).

SAMSON recommends renewing the top gasket (5.3) and bottom gasket (1.2) at the bellows housing as well.

### Disassembly

1. DN 15 to 50: Unscrew the lock nut (6.2) and stem connector nut (6.1).
2. First unscrew the coupling nut (5.1) and then the nuts (1.1) and lift off the flange (5.2).

Remove the entire bonnet assembly from the valve body.

3. Unscrew the screw (6.3), while holding the plug stem (X) stationary at the flattened part with an open-end wrench (width across flats 10 mm for DN 15 to 50 and 13 mm for DN 65/80).
4. First remove the plug (3) followed by DN 15 to 25: guide (15), DN 32 to 50: cover (14) or DN 65/80: cover (14) bushing (13), washer (12), spring (11) and washer (10).

Pull the bellows seal (5) out of the bellows housing (5.2) and remove the gasket (5.3).

5. Carefully clean all the parts and check them for damage. Replace the plug stem together with the bellows seal and packing with new parts.

### Assembly

1. Apply a suitable lubricant to the gasket (5.3) and thread on the bellows housing. Insert the gasket (5.3). Push in the bellows seal (5) together with plug stem and place on the flange (5.4). Tighten the coupling nut (5.1) by hand at first.

## Servicing

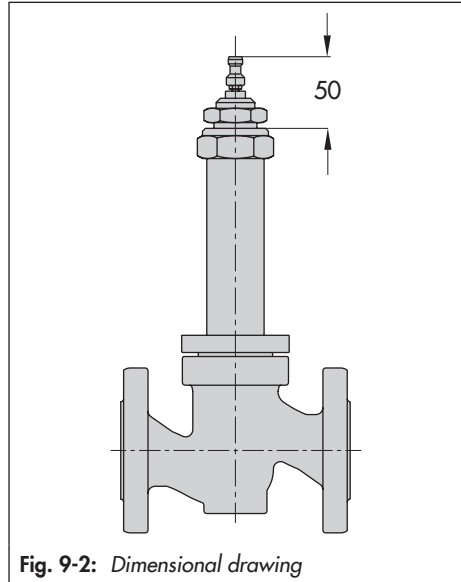
- DN 15 to 50: push the guide (15) or cover (14) onto the plug stem.  
DN 65/80: push the washer (10), spring (11), washer (12), bushing (13) and cover (14) onto the plug stem.  
Apply a suitable lubricant to the screw thread. Insert the retaining washer (6.4) and plug (3) onto the screw (6.3) and screw it tight into the plug stem. Place an open-end wrench on the flattened area of the plug stem (X).

### **NOTICE**

**Risk of leakage due damage of the metal bellows.**

→ While mounting the bellows, make sure that no torque is transferred to the metal bellows.

- Insert the gasket (1.2) into the valve body and place the entire bonnet assembly into the body.
- Align the flange (5.4) and tighten the nuts (1.1). Observe the specified tightening torque (see section 'Tools and tightening torques' in the Appendix).
- Tighten coupling nut (5.1). Observe the specified tightening torque (see section 'Tools and tightening torques' in the Appendix).
- DN 15 to 50: thread the lock nut (6.2) and stem connector nut (6.1) onto the top end of the plug stem again. Adjust the stem connector nut (6.1) to keep the dimension of 50 mm from the top of the bellows seal assembly (5) to the top of the stem connector nut (6.1).



## 9.4.2 Replacing the seat and plug

### **Note**

When replacing the seat and/or plug, SAMSON recommends renewing the gaskets (5.3, 1.2) at the top and bottom of the bellows housing as well.

### a) Replacing the plug

- Proceed as described in Chapter 9.4.1. However, replace the old plug with a new plug.

## b) Replacing the seat

- Proceed as described in Chapter 9.4.1.
- However, replace the old seat with a new seat. To do so, use a suitable seat wrench (see section 'Tools and tightening torques' in the Appendix) to unscrew the seat (2). Apply a suitable lubricant to the thread and the sealing cone of the new seat. Screw in the seat.

## 9.5 Ordering spare parts and operating supplies

Contact your nearest SAMSON subsidiary or SAMSON's After-sales Service for information on spare parts, lubricants and tools.

### Tools

See the Appendix for details on suitable tools.





## 10 Decommissioning

The work described in this chapter is to be performed only by personnel appropriately qualified to carry out such tasks.

### **⚠ DANGER**

#### **Risk of bursting due to incorrect opening of pressurized equipment or components.**

Valves and pipelines are pressure equipment that may burst when handled incorrectly.

Flying projectile fragments or the release of process medium under pressure can cause serious injury or even death.

Before working on the control valve:

- Depressurize all plant sections affected and the valve (including the actuator). Release any stored energy.
- Drain the process medium from the plant sections affected as well as from the valve.

### **⚠ DANGER**

#### **Risk of fatal injury due to electric shock.**

- Do not remove any covers to perform adjustment work on live parts.
- Before performing any work on the device and before opening the device, disconnect the supply voltage and protect it against unintentional reconnection.
- Only use power interruption devices that are protected against unintentional reconnection of the power supply.

### **⚠ WARNING**

#### **Risk of burn injuries due to hot or cold components and pipeline.**

Valve components and the pipeline may become very hot or cold. Risk of burn injuries.

- Allow components and pipelines to cool down or warm up to the ambient temperature.
- Wear protective clothing and safety gloves.

### **⚠ WARNING**

#### **Risk of hearing loss or deafness due to loud noise.**

Noise emission (e.g. cavitation or flashing) may occur during operation caused by the process medium and the operating conditions. Additionally, a loud noise may briefly occur through the sudden venting of the pneumatic actuator or pneumatic valve accessories not fitted with noise-reducing fittings. Both can damage hearing.

- Wear hearing protection when working near the valve.

### **⚠ WARNING**

#### **Crush hazard arising from actuator and plug stem moving.**

- Do not insert hands or finger into the yoke while the air supply or voltage supply is connected to the actuator.
- Before working on the control valve, disconnect and lock the pneumatic air supply and the control signal or

## Decommissioning

*disconnect the supply voltage and protect it against unintentional reconnection.*

- *Do not impede the movement of the actuator and plug stem by inserting objects into the yoke.*
  - *Before unblocking the actuator and plug stem after they have become blocked (e.g. due to seizing up after remaining in the same position for a long time), release any stored energy in the actuator (e.g. spring compression). See associated actuator documentation.*
- 

### **WARNING**

***Risk of personal injury due to exhaust air being vented from pneumatic devices.***

*While the valve is operating, the pneumatic actuator may vent during closed-loop control or when the valve opens or closes.*

- *Wear eye protection when working in close proximity to the control valve.*
- 

### **WARNING**

***Risk of personal injury due to residual process medium in the valve.***

*While working on the valve, residual medium can flow out of the valve and, depending on its properties, cause personal injury, e.g. (chemical) burns.*

- *Wear protective clothing, safety gloves, respiratory protection and eye protection.*
- 

To decommission the control valve for service work or to remove it from the pipeline, proceed as follows:

1. Close the shut-off valves upstream and downstream of the control valve to stop the process medium from flowing through the valve.
2. Completely drain the pipelines and valve.
3. Disconnect and lock the pneumatic air supply or supply voltage to depressurize or de-energize the actuator.
4. Release any stored energy.
5. If necessary, allow the pipeline and valve components to cool down or warm up to the ambient temperature.

## 11 Removal

The work described in this chapter is to be performed only by personnel appropriately qualified to carry out such tasks.

### **⚠ WARNING**

**Risk of burn injuries due to hot or cold components and pipeline.**

Valve components and the pipeline may become very hot or cold. Risk of burn injuries.

- Allow components and pipelines to cool down or warm up to the ambient temperature.
- Wear protective clothing and safety gloves.

### **⚠ WARNING**

**Crush hazard arising from actuator and plug stem moving.**

- Do not insert hands or finger into the yoke while the air supply or voltage supply is connected to the actuator.
- Before working on the control valve, disconnect and lock the pneumatic air supply and the control signal or disconnect the supply voltage and protect it against unintentional reconnection.
- Do not impede the movement of the actuator and plug stem by inserting objects into the yoke.
- Before unblocking the actuator and plug stem after they have become blocked (e.g. due to seizing up after remaining in the same position for a long time), release any stored energy in the actuator

(e.g. spring compression). See associated actuator documentation.

### **⚠ WARNING**

**Risk of personal injury due to residual process medium in the valve.**

While working on the valve, residual medium can flow out of the valve and, depending on its properties, cause personal injury, e.g. (chemical) burns.

- Wear protective clothing, safety gloves, respiratory protection and eye protection.

### **⚠ WARNING**

**Risk of personal injury due to preloaded springs in pneumatic actuators.**

Actuators with preloaded springs are under tension. They can be identified by the long bolts protruding from the bottom of the actuator.

- Before starting any work on the actuator, relieve the compression from the preloaded springs.

Before removing the valve, make sure the following conditions are met:

- The control valve is put out of operation (see the 'Decommissioning' chapter).

## Removal

### **11.1 Removing the valve from the pipeline**

1. Support the valve to hold it in place when separated from the pipeline (see the 'Shipment and on-site transport' chapter).
2. Unbolt the flanged joint.
3. Remove the valve from the pipeline (see the 'Shipment and on-site transport' chapter).

### **11.2 Removing the actuator from the valve**

See associated actuator documentation.

## 12 Repairs

If the valve does not function properly according to how it was originally sized or does not function at all, it is defective and must be repaired or exchanged.

### ! NOTICE

**Risk of valve damage due to incorrect service or repair work.**

- ➔ Do not perform any repair work on your own.
- ➔ Contact SAMSON's After-sales Service for service and repair work.

### 12.1 Returning devices to SAMSON

Defective devices can be returned to SAMSON for repair.

Proceed as follows to return devices:

1. Exceptions apply concerning some special device models
  - ▶ [www.samsongroup.com](http://www.samsongroup.com) > Service > After-sales Service > Returning goods.
2. Send an e-mail
  - ▶ [returns-de@samsongroup.com](mailto:returns-de@samsongroup.com) to register the return shipment including the following information:
    - Type
    - Article number
    - Configuration ID
    - Original order

- Completed Declaration on Contamination, which can be downloaded from our website at
  - ▶ [www.samsongroup.com](http://www.samsongroup.com) > Service > After-sales Service > Returning goods.

**After checking your registration, we will send you a return merchandise authorization (RMA).**

3. Attach the RMA (together with the Declaration on Decontamination) to the outside of your shipment so that the documents are clearly visible.
4. Send the shipment to the address given on the RMA.

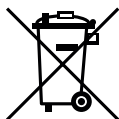
### i Note

*Further information on returned devices and how they are handled can be found at*

- ▶ [www.samsongroup.com](http://www.samsongroup.com) > Service > After-sales Service.



## 13 Disposal



SAMSON is a producer registered at the following European institution  
 ▶ <https://www.ewrn.org/national-registers/national-registers>.  
 WEEE reg. no.: DE 621 94439/  
 FR 02566

- ➔ Observe local, national and international refuse regulations.
- ➔ Do not dispose of components, lubricants and hazardous substances together with your household waste.

---

### **i** Note

*SAMSON can provide you with a recycling passport according to PAS 1049<sup>1)</sup> on request. Simply e-mail us at [offersaleservice@samsongroup.com](mailto:offersaleservice@samsongroup.com) giving details of your company address.*

---

### Tip

*On request, SAMSON can appoint a service provider to dismantle and recycle the product as part of a distributor take-back scheme.*

---

<sup>1)</sup> PAS 1049 is relevant to electrical and electronic equipment (e.g. electric actuators). This PAS specification does not apply to non-electrical equipment.





## 14 Certificates

The declarations of conformity according Pressure Equipment Directive 2014/68/EU are included on the next pages.

The certificates shown were up to date at the time of publishing. The latest certificates can be found on our website:

▶ [www.samsongroup.com](http://www.samsongroup.com) > *Products* > *Valves* > *3531*

Other optional certificates are available on request.



**Module A**

For the following products, SAMSON hereby declares under its sole responsibility:

Devices	Series	Type	Version	
Self-operated Regulators	43	2432	DIN EN, body, CC499K and EN-GJS-400-18-LT, DN 50, PN 25, fluids G2, L2, L1 <sup>1)</sup>	
	43	2436	DIN EN, body, CC499K and EN-GJS-400-18-LT, DN 50, PN 25, fluids G2, L2, L1 <sup>1)</sup>	
	43	2437	DIN EN, body, CC499K and EN-GJS-400-18-LT, DN 50, PN 25, fluids G2, L2, L1 <sup>1)</sup>	
Three-way valve	---	2111	DIN EN, body, EN-GJS-400-18-LT, DN 50, PN 25, fluids G2, L2, L1 <sup>1)</sup>	
			DIN EN, body, 1.0619 and 1.4408, DN 40-50, PN 40, fluids G2, L2, L1 <sup>1)</sup>	
			ANSI, body, A216 WCC and A351 CF8M, NPS 1½-2, Class 300, fluids G2, L2, L1 <sup>1)</sup>	
			DIN EN, body, EN-GJL-250 and 1.0619, DN 65-125, PN 16, fluids G2, L2, L1 <sup>1)</sup>	
			DIN EN, body, 1.0619, DN 50-80, PN 25, fluids G2, L2, L1 <sup>1)</sup>	
			DIN EN, body, 1.0619 and 1.4408, DN 40-50, PN 40, fluids G2, L2, L1 <sup>1)</sup>	
Control valve	---	3222	ANSI, body, A216 WCC and A351 CF8M, NPS 2½-4, Class 150, fluids G2, L2, L1 <sup>1)</sup>	
			ANSI, body, A216 WCC and A351 CF8M, NPS 1½, Class 300, fluids G2, L2, L1 <sup>1)</sup>	
			DIN EN, body, EN-GJS-400-18-LT, DN 50, PN 25, fluids G2, L2, L1 <sup>1)</sup>	
Three-way valve	---	3226	DIN EN, body, CC499K, DN 50, PN 25, fluids G2, L2 <sup>2)</sup>	
Three-way valve	---	3260	DIN EN, body, EN-GJL-250, DN 65-200, PN 16, fluids G2, L2 <sup>2)</sup>	
Globe valve Three-way valve	V2001	3531	DIN EN, body, EN-GJS-400-18-LT, DN 50-80, PN 25, fluids G2, L2, L1 <sup>1)</sup>	
		3535	DIN EN, body, 1.0619 and 1.4408, DN 32-40, PN 25, all fluids	
Control valve	---	3214	ANSI, body, A216 WCC and A351 CF8M, NPS 1½-2, Class 150, all fluids	
			DIN EN, body, EN-GJL-250, DN 65-125, PN 16, fluids G2, L2, L1 <sup>1)</sup>	
			DIN EN, body, EN-GJS-400-18-LT, DN 50-80, PN 25, fluids G2, L2, L1 <sup>1)</sup>	
			ANSI, body, A126 B, NPS 3-4, Class 125, fluids G2, L2, L1 <sup>1)</sup>	
			ANSI, body, A216 WCC and A351 CF8M, NPS 1½-2, Class 150, all fluids	
			DIN EN, body, EN-GJL-250 and EN-GJS-400-18-LT, DN 65-125, PN 16, fluids G2, L2, L1 <sup>1)</sup>	
Self-operated Regulators	42	2423	DIN EN, body, EN-GJS-418-LT, DN 50-80, PN 25, fluids G2, L2, L1 <sup>1)</sup>	
			DIN EN, body, 1.0619 and 1.4408, DN 32-50, PN 16, all fluids	
			DIN EN, body, 1.0619 and 1.4408, DN 32-40, PN 25, all fluids	
	42	2422	ANSI, body, A126 B, NPS 3-4, Class 125, fluids G2, L2, L1 <sup>1)</sup>	
			ANSI, body, A216 WCC and A351 CF8M, NPS 1½-2, Class 150, all fluids	
			DIN EN, body, EN-GJL-250 and EN-GJS-400-18-LT, DN 65-125, PN 16, fluids G2, L2, L1 <sup>1)</sup>	
Strainers	1N/1NI	2601	DIN EN, body, EN-GJS-400-18-LT, DN 50-80, PN 25, fluids G2, L2, L1 <sup>1)</sup>	
		2602	DIN EN, body, EN-GJL-250, DN 200-250, PN 10, fluids G2, L2, L1 <sup>1)</sup>	
Strainers	2N/2NI	2602	DIN EN, body, EN-GJL-250, DN 65-125, PN 16, fluids G2, L2, L1 <sup>1)</sup>	
			DIN EN, body, EN-GJS-400-18-LT, DN 100-125, PN 16, fluids G2, L2, L1 <sup>1)</sup>	
			DIN EN, body, EN-GJS-400-18-LT, DN 50-80, PN 25, fluids G2, L2, L1 <sup>1)</sup>	
			DIN EN, body, 1.4408, DN 32-50, PN 16, all fluids	
			ANSI, body, A995 4A and A995 5A, NPS 1½-2, Class 150, all fluids	
Self-operated Regulators	---	2373/2375	ANSI, body, A995 4A and A995 5A, NPS 1½-2, Class 150, all fluids	
		44	2440 (44-0B) 2441 (44-1B) 2446 (44-6B)	DIN EN, body, EN-GJS-400-18-LT, DN 50, PN 25, fluids G2, L2, L1 <sup>1)</sup>
			2442 (44-2) 2443 (44-3) 2444 (44-4) 2447 (44-7) 2449 (44-9)	DIN EN, body, EN-GJS-400-18-LT and CC499K, DN 50, PN 25, fluids G2, L2, L1 <sup>1)</sup>

Revision 01

# EU DECLARATION OF CONFORMITY

## TRANSLATION



Devices	Series	Type	Version
Self-operated Regulators	45	2451 (45-1)	DIN EN, body, EN-GJS-400-18-LT and CC499K, DN 50, PN 25, fluids G2, L2, L1 <sup>1)</sup>
		2452 (45-2)	
		2453 (45-3)	
		2454 (45-4)	
		2456 (45-6)	
	46	2465 (46-5)	DIN EN, body, EN-GJS-400-18-LT and CC499K, DN 50, PN 25, fluids G2, L2, L1 <sup>1)</sup>
		2466 (46-6)	
		2467 (46-7)	
		2469 (46-9)	
	47	2471 (47-1)	DIN EN, body, EN-GJS-400-18-LT and CC499K, DN 50, PN 25, fluids G2, L2, L1 <sup>1)</sup>
		2474 (47-4)	
		2475 (47-5)	
		2479 (47-9)	
	48	2488	DIN EN, body, EN-GJS-400-18-LT and CC499K, DN 50, PN 25, fluids G2, L2, L1 <sup>1)</sup>
		2489	
	40	2405	DIN EN, body, EN-GJS-400-18-LT, DN 50, PN 25, fluids G2, L2, L1 <sup>1)</sup>
			ANSI, body, A216 WCC and A351 CF8M, NPS 1½-2, Class 150, all fluids
			DIN EN, body, EN-GJL-250, DN 65-125, PN 16, fluids G2, L2, L1 <sup>1)</sup>
		2406	DIN EN, body, EN-GJS-400-18-LT, DN 50, PN 25, fluids G2, L2, L1 <sup>1)</sup>
			ANSI, body, A126 B, NPS 3-4, Class 125, fluids G2, L2, L1 <sup>1)</sup>
			ANSI, body, A216 WCC and A351 CF8M, NPS 1½-2, Class 150, all fluids
	41	2412	DIN EN, body, EN-GJL-250, DN 65-100, PN 16, fluids G2, L2, L1 <sup>1)</sup>
			DIN EN, body, EN-GJS-400-18-LT, DN 50-80, PN 25, fluids G2, L2, L1 <sup>1)</sup>
		2417	ANSI, body, A126 B, NPS 3-4, Class 125, fluids G2, L2, L1 <sup>1)</sup>
			ANSI, body, A216 WCC and A351 CF8M, NPS 1½-2, Class 150, all fluids
	42	2421 RS	DIN EN, body, 1.0619, 1.4408, 1.4571 and 1.4401/1.4404, DN 32-50, PN 16, all fluids
			DIN EN, body, 1.0619, 1.4408, 1.4571 and 1.4401/1.4404, DN 32-40, PN 25, all fluids
			ANSI, body, A216 WCC, A351 CF8M and A182 F316/A182 F316L, NPS 1½-2, Class 150, all fluids
			DIN EN, body, EN-GJL-250, DN 65-200, PN 16, fluids G2, L2 <sup>2)</sup>
	---	2331	DIN EN, body, EN-GJS-400-18-LT, DN 65-150, PN 16, fluids G2, L2 <sup>2)</sup>
			DIN EN, body, EN-GJS-400-18-LT, DN 65-125, PN 25, fluids G2, L2 <sup>2)</sup>
			DIN EN, body, 1.0619, DN 65-200, PN 16, fluids G2, L2 <sup>2)</sup>
DIN EN, body, 1.0619, DN 65-100, PN 40, fluids G2, L2 <sup>2)</sup>			
DIN EN, body, 1.0619, DN 250, PN 25, fluids L1 <sup>1)</sup>			
---	2337	DIN EN, body, 1.0619, DN 250, PN 40, fluids L1 <sup>1)</sup>	
		DIN EN, body, EN-GJL-250, DN 65-125, PN 16, fluids G2, L2, L1 <sup>1)</sup>	
---	2333	DIN EN, body, EN-GJS-400-18-LT, DN 65-80, PN 25, fluids G2, L2, L1 <sup>1)</sup>	
		ANSI, body, A126 B, NPS 3-4, Class 125, fluids G2, L2, L1 <sup>1)</sup>	
		DIN EN, body, EN-GJL-250, DN 65-125, PN 16, fluids G2, L2, L1 <sup>1)</sup>	
---	2334	DIN EN, body, EN-GJS-400-18-LT, DN 65-125, PN 16, fluids G2, L2, L1 <sup>1)</sup>	
		DIN EN, body, EN-GJS-400-18-LT, DN 65-80, PN 25, fluids G2, L2, L1 <sup>1)</sup>	
		ANSI, body, A126 B, NPS 3-4, Class 125, fluids G2, L2, L1 <sup>1)</sup>	
		DIN EN, body, EN-GJL-250, DN 65-125, PN16, fluids G2, L2, L1 <sup>1)</sup>	
---	2404-1	ANSI, body, A126 B, NPS 3-4, Class 125, fluids G2, L2, L1 <sup>1)</sup>	
		ANSI, body, A216 WCC und A351 CF8M, NPS 1½-2, Class 150, all fluids	
		DIN EN, body, EN-GJL-250, DN 65-125, PN 16, fluids G2, L2, L1 <sup>1)</sup>	
---	2404-2	ANSI, body, A126 B, NPS 3-4, Class 125, fluids G2, L2, L1 <sup>1)</sup>	
		DIN EN, body, EN-GJL-250, DN 65-125, PN 16, fluids G2, L2, L1 <sup>1)</sup>	

<sup>1)</sup> Gases according to Article 4(1)(c.i), second indent  
Liquids according to Article 4(1)(c.ii)

<sup>2)</sup> Gases according to Article 4(1)(c.i), second indent  
Liquids according to Article 4(1)(c.ii), second indent

# EU DECLARATION OF CONFORMITY TRANSLATION



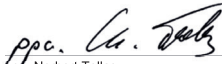
That the products mentioned above comply with the requirements of the following standards:


Directive of the European Parliament and of the Council on the harmonization of the laws of the Member States relating to the making available on the market of pressure equipment	2014/68/EU	of 15. May 2014
Applied conformity assessment procedure for fluids according to Article 4(1)	Module A	

**Technical standards applied: DIN EN 12516-2, DIN EN 12516-3, ASME B16.34**

**Manufacturer: SAMSON AG, Weismüllerstraße 3, 60314 Frankfurt am Main, Germany**

Frankfurt am Main, 05. June 2024

  
ppc. Norbert Tollas  
Senior Vice President  
Global Operations

  
i.V. Peter Scheermesser  
Director  
Product Maintenance & Engineered Products

Revision 01

Classification: Public · SAMSON AKTIENGESELLSCHAFT · Weismuellerstrasse 3 · 60314 Frankfurt am Main, Germany

Page 3 of 3



**Module H / N° CE-0062-PED-H-SAM 001-22-DEU-rev-A**

For the following products, SAMSON hereby declares under its sole responsibility:

Devices	Series	Type	Version
Three-way valve	---	2119	DIN EN, body, EN-GJL-250 and 1.0619, DN 150, PN 16, fluids G2, L2, L1 <sup>1)</sup>
			DIN EN, body, 1.0619, DN 100-150, PN 25, fluids G2, L2, L1 <sup>1)</sup>
			DIN EN, body, 1.0619 and 1.4408, DN 65-150, PN 40, fluids G2, L2, L1 <sup>1)</sup>
			ANSI, body, A216 WCC and A351 CF8M, NPS 6, Class 150, fluids G2, L2, L1 <sup>1)</sup>
			ANSI, body, A216 WCC and A351 CF8M, NPS 2-6, Class 300, fluids G2, L2, L1 <sup>1)</sup>
Self-operated Regulators	---	3222	DIN EN, body, CC499K, DN 50, PN 25, all fluids
Three-way valve	---	3260	DIN EN, body, EN-GJL-250, DN 250-300, PN 16, fluids G2, L2 <sup>1)</sup>
Globe valve	V2001	3531	DIN EN, body, 1.0619 and 1.4408, DN 50-80, PN 25, all fluids
Three-way valve		3535	ANSI, body, A216 WCC and A351 CF8M, NPS 2½-3, Class 150, all fluids
Control valve	---	3214	DIN EN, body, EN-GJL-250, DN 150-400, PN 16, fluids G2, L2, L1 <sup>1)</sup>
			DIN EN, body, EN-GJS-400-18-LT, DN 100-150, PN 25, fluids G2, L2, L1 <sup>1)</sup>
			DIN EN, body, 1.0619, DN 32-400, PN 40, all fluids
			ANSI, body, A126 B, NPS 6-10, Class 125, fluids G2, L2, L1 <sup>1)</sup>
			ANSI, body, A216 WCC, NPS 2½-10, Class 150, all fluids
Self-operated Regulators	42	2423	ANSI, body, A216 WCC, NPS 1½-10, Class 300, all fluids
			DIN EN, body, EN-GJL-250, DN 150-400, PN 16, fluids G2, L2, L1 <sup>1)</sup>
			DIN EN, body, EN-GJS-400-18-LT, DN 150, PN 16, fluids G2, L2, L1 <sup>1)</sup>
			DIN EN, body, EN-GJS-400-18-LT, DN 100-150, PN 25, fluids G2, L2, L1 <sup>1)</sup>
			DIN EN, body, 1.0619 and 1.4408, DN 65-250, PN 16, all fluids
			DIN EN, body, 1.0619 and 1.4408, DN 50-250, PN 25, all fluids
			DIN EN, body, 1.0619 and 1.4408, DN 32-250, PN 40, all fluids
			ANSI, body, A126 B, NPS 6-10, Class 125, fluids G2, L2, L1 <sup>1)</sup>
			ANSI, body, A216 WCC and A351 CF8M, NPS 2½-10, Class 150, all fluids
			ANSI, body, A216 WCC and A351 CF8M, NPS 1½-10, Class 300, all fluids
			DIN EN, body, EN-GJL-250, DN 150-400, PN 16, fluids G2, L2, L1 <sup>1)</sup>
			DIN EN, body, EN-GJS-400-18-LT, DN 100-150, PN 25, fluids G2, L2, L1 <sup>1)</sup>
	DIN EN, body, 1.0619 and 1.4408, DN 65-400, PN 16, all fluids		
	DIN EN, body, 1.0619 and 1.4408, DN 200-400, PN 25, all fluids		
	DIN EN, body, 1.0619 and 1.4408, DN 32-400, PN 40, all fluids		
	DIN EN, body, 1.0460, DN 40-50, PN 40, all fluids		
	DIN EN, body, 1.6220+QT, DN 65-250, PN 16, all fluids		
	DIN EN, body, 1.6220+QT, DN 200-250, PN 25, all fluids		
	DIN EN, body, 1.6220+QT, DN 32-250, PN 40, all fluids		
	ANSI, body, A126 B, NPS 6-16, Class 125, fluids G2, L2, L1 <sup>1)</sup>		
	ANSI, body, A216 WCC and A351CF8M, NPS 2½-16, Class 150, all fluids		
	ANSI, body, A216 WCC and A351CF8M, NPS 1½-16, Class 300, all fluids		
	ANSI, body, A105, NPS 1½-2, Class 300, all fluids		
	ANSI, body, A352 LCC, NPS 2½-10, Class 150, all fluids		
ANSI, body, A352 LCC, NPS 1½-10, Class 300, all fluids			
42	2421RS	DIN EN, body, 1.0619 and 1.4408, DN 65-150, PN 16, all fluids	
		DIN EN, body, 1.0619 and 1.4408, DN 50-150, PN 25, all fluids	
		DIN EN, body, 1.0619 and 1.4408, DN 32-150, PN 40, all fluids	
		DIN EN, body, 1.4571 and 1.4401/1.4404, DN 50, PN 25, all fluids	
		DIN EN, body, 1.4571 and 1.4401/1.4404, DN 32-50, PN 40, all fluids	
		ANSI, body, A216 WCC and A351 CF8M, NPS 2½-6, Class 150, all fluids	
ANSI, body, A216 WCC and A351 CF8M, NPS 1½-6, Class 300, all fluids			

Revision 01

# EU DECLARATION OF CONFORMITY

TRANSLATION



Devices	Series	Type	Version		
Self-operated Regulators	40	2405	DIN EN, body, 1.0619, 1.4571, 1.4404, 1.4408, 1.0460, DN 32-50, PN40, all fluids		
			ANSI, body, A105, A182 F316L, A351 CF8M, A216 WCC, NPS 1½-2, Class 300, all fluids		
			DIN EN, body, EN-GJL-250, DN 150, PN 16, fluids G2, L2, L1 <sup>1)</sup>		
		2406	DIN EN, body, 1.0619 and 1.4408, DN 32-150, PN 40, all fluids	DIN EN, body, 1.0460 and 1.4404, DN 32-50, PN 40, all fluids	
				ANSI, body, A126 B, NPS 6, Class 125, fluids G2, L2, L1 <sup>1)</sup>	
				ANSI, body, A216 WCC and A351 CF8M, NPS 2½-6, Class 150, all fluids	
	41		2412 2417	ANSI, body, A216 WCC and A351 CF8M, NPS 1½-6, Class 300, all fluids	
				ANSI, body, A105 and A182 F316L, NPS 1½-2, Class 300, all fluids	
				DIN EN, body, EN-GJS-400-18-LT, DN 100, PN25, fluids G2, L2, L1 <sup>1)</sup>	
		---	2404-1	DIN EN, body, 1.0619 und 1.4408, DN 32-100, PN 40, all fluids	
				DIN EN, body, 1.0460, 1.4571 and 1.4404, DN 32-80, PN 40, all fluids	
				ANSI, body, A216 WCC and A351 CF8M, NPS 2½-4, Class 150, all fluids	
	---		2404-2	ANSI, body, A216 WCC and A351 CF8M, NPS 1½-4, Class 300, all fluids	
				ANSI, body, A105 and A182 F316L, NPS 1½-3, Class 300, all fluids	
				DIN EN, body, EN-GJL-250, DN 150, PN16, fluids G2, L2, L1 <sup>1)</sup>	
		---	2331	DIN EN, body, 1.0619 und 1.4408, DN 32-150, PN 40, all fluids	
				ANSI, body, A126 B, NPS 6, Class 125, fluids G2, L2, L1 <sup>1)</sup>	
				ANSI, body, A216 WCC und A351 CF8M, NPS 2½-6, Class 150, all fluids	
	---		2333 2335	ANSI, body, A216 WCC und A351 CF8M, NPS 1½-6, Class 300, all fluids	
				DIN EN, body, EN-GJL-250, DN 150-400, PN 16, fluids G2, L2, L1 <sup>1)</sup>	
				DIN EN, body, 1.0619 und 1.4408, DN 65-400, PN 16, all fluids	
		---	2334	DIN EN, body, 1.0619 und 1.4408, DN 65-400, PN 40, all fluids	
				ANSI, body, A126 B, NPS 6-16, Class 125, fluids G2, L2, L1 <sup>1)</sup>	
				ANSI, body, A216 WCC and A351 CF8M, NPS 2½-16, Class 150, all fluids	
	---		2373 2375	ANSI, body, A216 WCC and A351 CF8M, NPS 2½-16, Class 300, all fluids	
				DIN EN, body, EN-GJL-250, DN 150-400, PN 16, fluids G2, L2, L1 <sup>1)</sup>	
				DIN EN, body, EN-GJS-400-18-LT, DN 100-150, PN 25, fluids G2, L2, L1 <sup>1)</sup>	
		Strainers	2N/2NI	2602	DIN EN, body, 1.0619 and 1.4408, DN 200-400, PN 25, all fluids
					DIN EN, body, 1.0619 and 1.4408, DN 65-400, PN 16, all fluids
					DIN EN, body, 1.0619 and 1.4408, DN 200-400, PN 25, all fluids
	DIN EN, body, 1.0619 and 1.4408, DN 65-400, PN 40, all fluids				
	ANSI, body, A126 B, NPS 6-16, Class 125, fluids G2, L2, L1 <sup>1)</sup>				
ANSI, body, A216 WCC and A351 CF8M, NPS 2½-16, Class 150, all fluids					
DIN EN, body, EN-GJL-250, DN 150-250, PN 16, fluids G2, L2, L1 <sup>1)</sup>					
DIN EN, body, EN-GJS-400-18-LT, DN 150, PN 16, fluids G2, L2, L1 <sup>1)</sup>					
DIN EN, body, EN-GJS-400-18-LT, DN 100-150, PN 25, fluids G2, L2, L1 <sup>1)</sup>					
DIN EN, body, 1.0619 and 1.4408, DN 32-50, PN 40, all fluids					
ANSI, body, A995 5A and A995 4A, NPS 1½-2, Class 300, all fluids					

Revision 01

# EU DECLARATION OF CONFORMITY

## TRANSLATION



Devices	Series	Type	Version
Strainers	2N/2NI	2602	DIN EN, body, 1.0619, DN 200-250, PN 25, all fluids
			DIN EN, body, 1.0619, DN 32-250, PN 40, all fluids
			DIN EN, body, 1.4408, DN 65-100, PN 16, all fluids
			DIN EN, body, 1.4408, DN 32-100, PN 40, all fluids

<sup>1)</sup> Gases according to Article 4(1)(c.i), second indent  
Liquids according to Article 4(1)(c.ii)

That the products mentioned above comply with the requirements of the following standards:

Directive of the European Parliament and of the Council on the harmonization of the laws of the Member States relating to the making available on the market of pressure equipment	2014/68/EU	of 15. May 2014
Applied conformity assessment procedure for fluids according to Article 4(1)	Module H	by Bureau Veritas 0062

The manufacturer's quality management system is monitored by the following notified body:  
**Bureau Veritas Services SAS, 4 place des Saisons, 92400 Courbevoie, France**  
Technical standards applied: DIN EN 12516-2, DIN EN 12516-3, ASME B16.34

**Manufacturer: SAMSON AG, Weismuellerstrasse 3, 60314 Frankfurt am Main, Germany**

Frankfurt am Main, 05. June 2024

ppa. Norbert Tollas  
Senior Vice President  
Global Operations

i.V. Peter Scheermesser  
Director  
Product Maintenance & Engineered Products

Revision 01





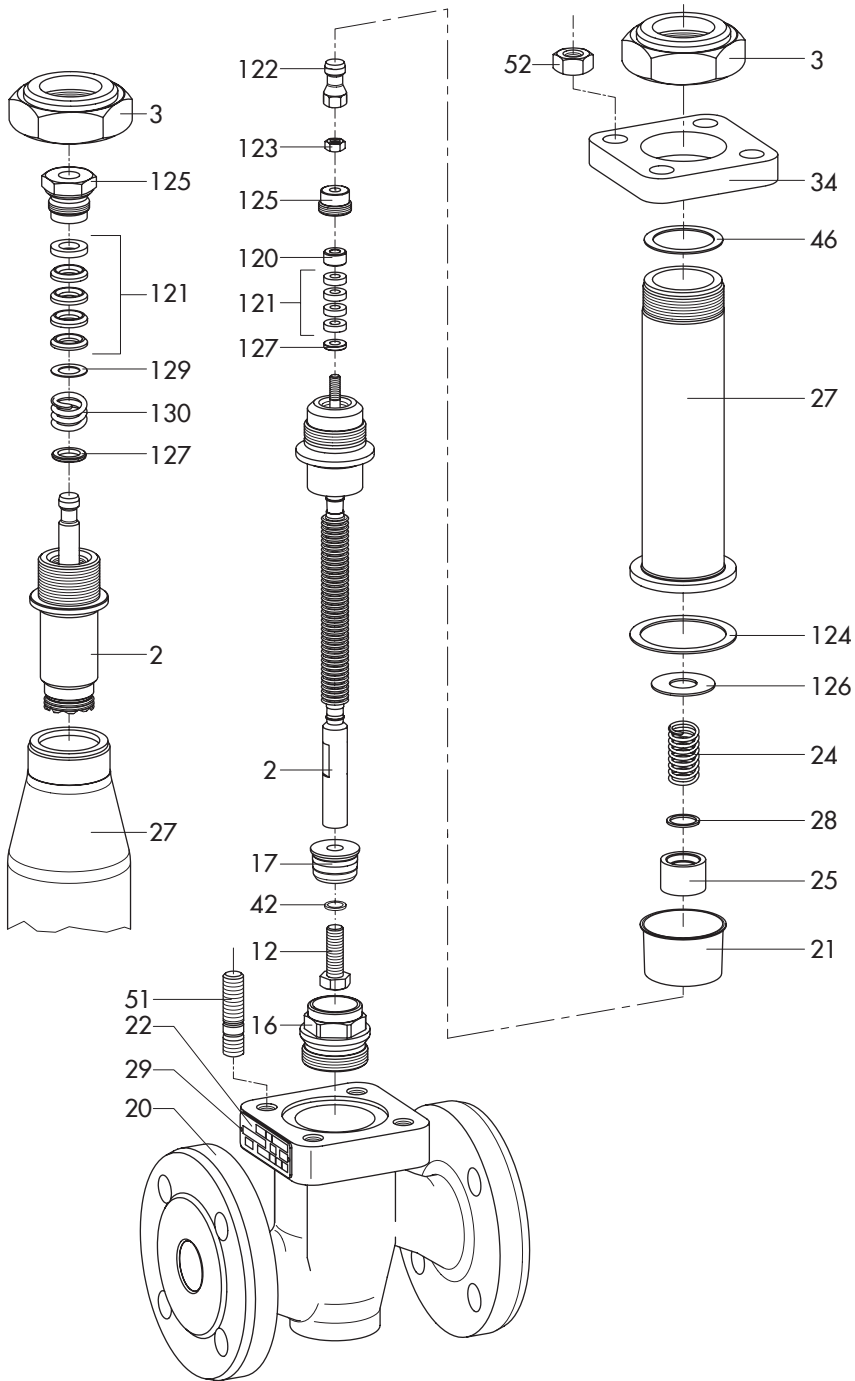
## 15 Appendix

### 15.1 Tools and tightening torques

Nominal size	DN 15 to 25 NPS ½ to 1	DN 32 to 50 NPS 1½ to 2	DN 65 to 80 NPS 2½ to 3
Seat wrench Material no.	1280-3030	1280-3009	9110-2467
<b>Tightening torques (±10 %)</b>			
Seat thread	120 Nm (M32x1.5)	500 Nm (M58x1.5)	1050 Nm (M90x1.5)
Body nut (1.1)	10 Nm (M10)	30 Nm (M12)	90 Nm (M16)
Coupling nut (5.1)	80 Nm		

### 15.2 Spare parts

2	Bellows assembly	123	Hex bolt
3	Nut	124	Graphite seal
12	Hex bolt	125	Threaded bushing
16	Seat	126	Washer
17	Plug	127	Washer
20	Body	129	Washer
21	Guide cap	130	Spring
22	Nameplate		
24	Spring		
25	Guide bushing		
27	Flanged pipe		
28	Washer		
29	Grooved pin		
34	Flange		
42	Washer		
46	Graphite seal		
51	Stud		
52	Hex bolt		
120	Bushing		
121	Seals		
122	Nut		



## 15.3 After-sales service

Contact our after-sales service for support concerning service or repair work or when malfunctions or defects arise.

### E-mail address

You can reach our after-sales service at [aftersalesservice@samsongroup.com](mailto:aftersalesservice@samsongroup.com).

### Addresses of SAMSON AG and its subsidiaries

The addresses of SAMSON AG, its subsidiaries, representatives and service facilities worldwide can be found on our website ([www.samsongroup.com](http://www.samsongroup.com)) or in all SAMSON product catalogs.

### Required specifications

Please submit the following details:

- Order number and position number in the order
- Type, model number, nominal size and valve version
- Pressure and temperature of the process medium
- Flow rate in m<sup>3</sup>/h
- Bench range (signal pressure range) (e.g. 1.4 to 2.3 bar with a pneumatic actuator)
- Is a strainer installed?
- Installation drawing









**EB 8131/8132 EN**



SAMSON AKTIENGESELLSCHAFT  
Weismüllerstraße 3 · 60314 Frankfurt am Main, Germany  
Phone: +49 69 4009-0 · Fax: +49 69 4009-1507  
samson@samsongroup.com · www.samsongroup.com