

Type 3214 (balanced by a diaphragm)



Your contact details:

Title:
Name:
Company:
Customer no.

Street:
ZIP/postal code, city:
Country:
E-mail:
Phone:

Ordering spare parts

The spare parts for Type 3214 are listed on the next pages. This document can also be used for ordering:

1. Fill in your contact data and information on the product.
2. Enter the quantity of spare parts needed.
3. Click [Send form] button to attach the PDF form to an e-mail.
4. Attach additional information (e.g. invoice, photos) to the e-mail, if necessary.
5. Send e-mail to spareparts@samsongroup.com.

Either

Configuration ID (Var-ID):

or

SAMSON order no.:

Position in order:

or

SAMSON	<input type="text" value="2"/>	Var.ID	<input type="text" value="3"/>	<input type="text" value="1"/>	No	<input type="text" value="4"/>	Kvs	<input type="text" value="5"/>				
<input type="radio"/>	<input type="text" value="6"/>	bar DN	<input type="text" value="7"/>	PN	<input type="text" value="8"/>	Δp	<input type="text" value="9"/>	bar T	<input type="text" value="10"/>	$^{\circ}\text{C}$	<input type="text" value="11"/>	
<small>Made in Germany</small>												

1	Type designation:	<input type="text" value="3214"/>
2	Certificate number/TÜV registration no.:	<input type="text"/>
5	Flow coefficient:	<input type="text"/>
6	Set point range/spring force:	<input type="text"/>
7	Valve size:	<input type="text"/>
8	Pressure rating:	<input type="text"/>
9	Perm. differential pressure:	<input type="text"/>
10	Perm. temperature:	<input type="text"/>
11	Body material:	<input type="text"/>

Application	Water
	Non-flammable gases

Send form

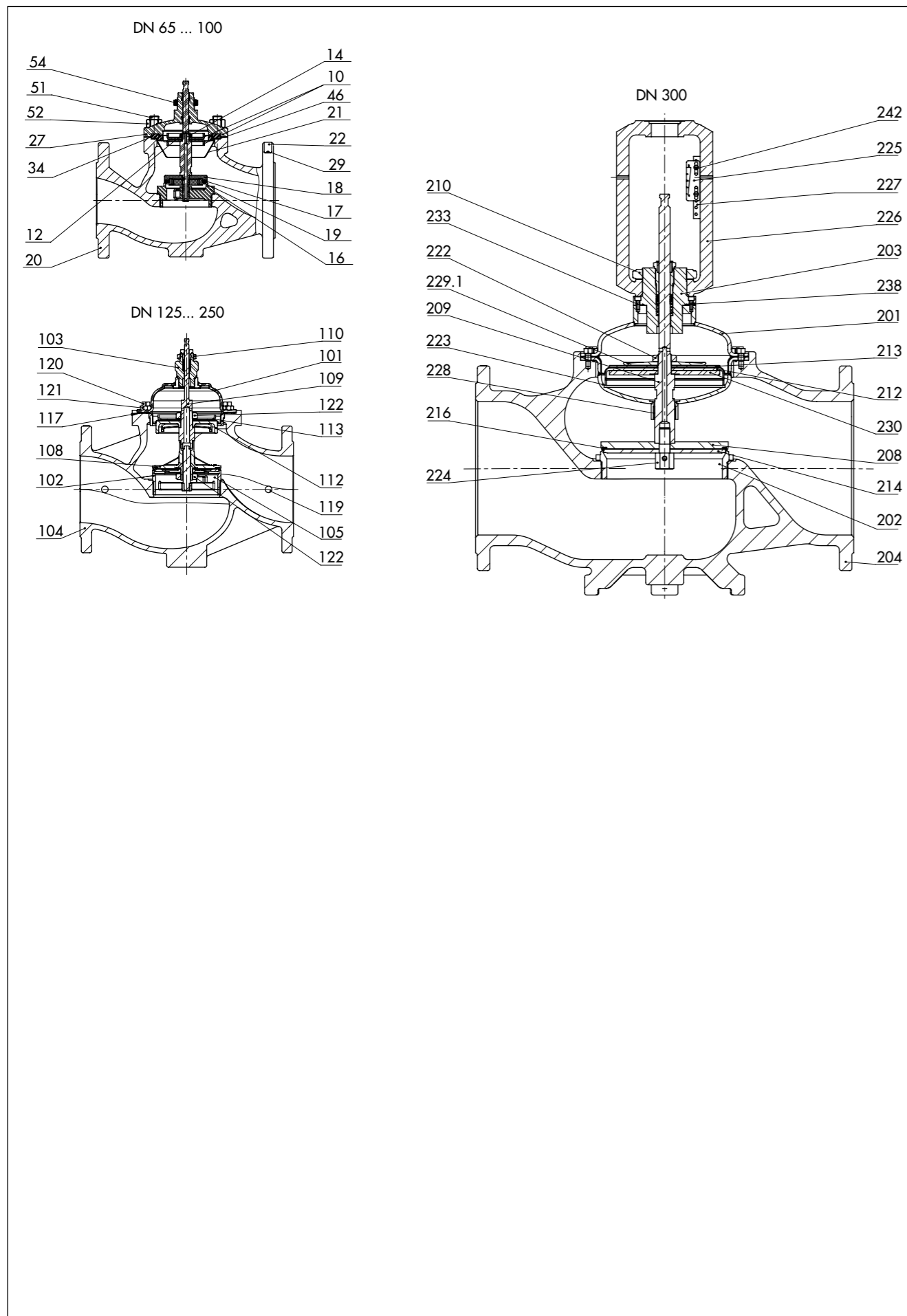
Print form

Clear form

Edition July 2021

Spare Parts List

EL 5868-1 EN



Spare part no.		Qty.	Filled in by SAMSON: material no.
10	Diaphragm plate		
12	Hex nut		
14	Nipple		
16	Seat		
17	Molded seal		
18	Plug		
19	Pre-stage of plug		
20	Body		
21	Guide cap		
22	Label		
27	Bonnet		
29	Grooved pin		
34	Distance ring		
46	Seal		
51	Bolt		
52	Nut		
54	Nut		
101	Metal plate		
102	Seat		
103	Nipple		
104	Body		
105	Ring		
108	Plug		
109	Nipple		
110	Nut		
112	Diaphragm plate		
113	Washer		
117	Diaphragm		
119	Screw		
120	Stud		
121	Hex nut		
122	Hex nut		
201	Diaphragm case		
202	Seat		
203	Guide nipple		

Spare part no.		Qty.	Filled in by SAMSON: material no.
204	Body		
208	Plug		
209	Plug stem		
210	Castellated nut		
212	Diaphragm plate		
213	Diaphragm plate		
214	Clamping disk		
216	Gasket		
217	Diaphragm		
220	Stud		
221	Hex nut		
222	Nut		
223	Diaphragm case		
224	Differential pressure bolt		
225	Travel indicator scale		
226	Yoke		
227	Bracket		
228	Bushing		
229.1	Diaphragm plate		
229.2	Washer		
230	Washer		
231	Cap screw		
232	Screw		
233	Screw		
234	Countersunk screw		
236	O-ring		
238	O-ring		
242	Cap screw		

Specifications subject to change without notice
