



## Your contact details:

Title:

Name:

Company:

Customer no.

Street:

ZIP/postal code, city:

Country:

E-mail:

Phone:

## Ordering spare parts

The spare parts for Type 3349 are listed on the next pages. This document can also be used for ordering:

1. Fill in your contact data and information on the product.
2. Enter the quantity of spare parts needed.
3. Click [Send form] button to attach the PDF form to an e-mail.
4. Attach additional information (e.g. invoice, photos) to the e-mail, if necessary.
5. Send e-mail to [spareparts@samsongroup.com](mailto:spareparts@samsongroup.com).

Either

Configuration ID (9):

or

SAMSON order no.:

Position in order:

or

Specifications according to the information on the valve body (see next page)

Send form

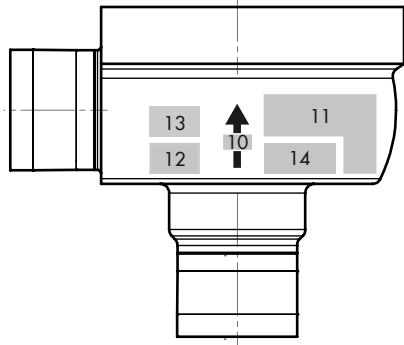
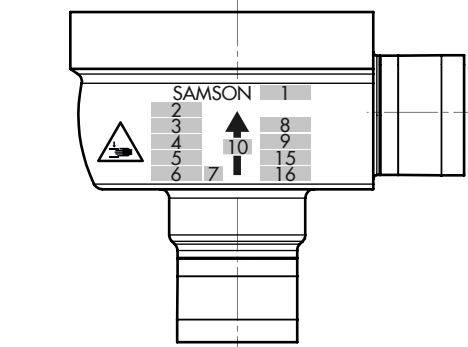
Print form

Clear form

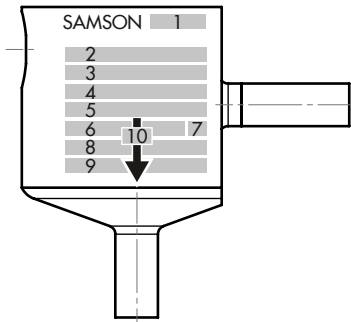
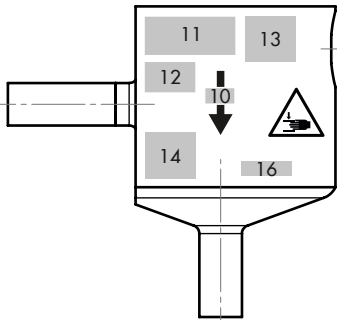
Edition June 2022

Spare Parts List

EL 8048-2 EN



Standard version



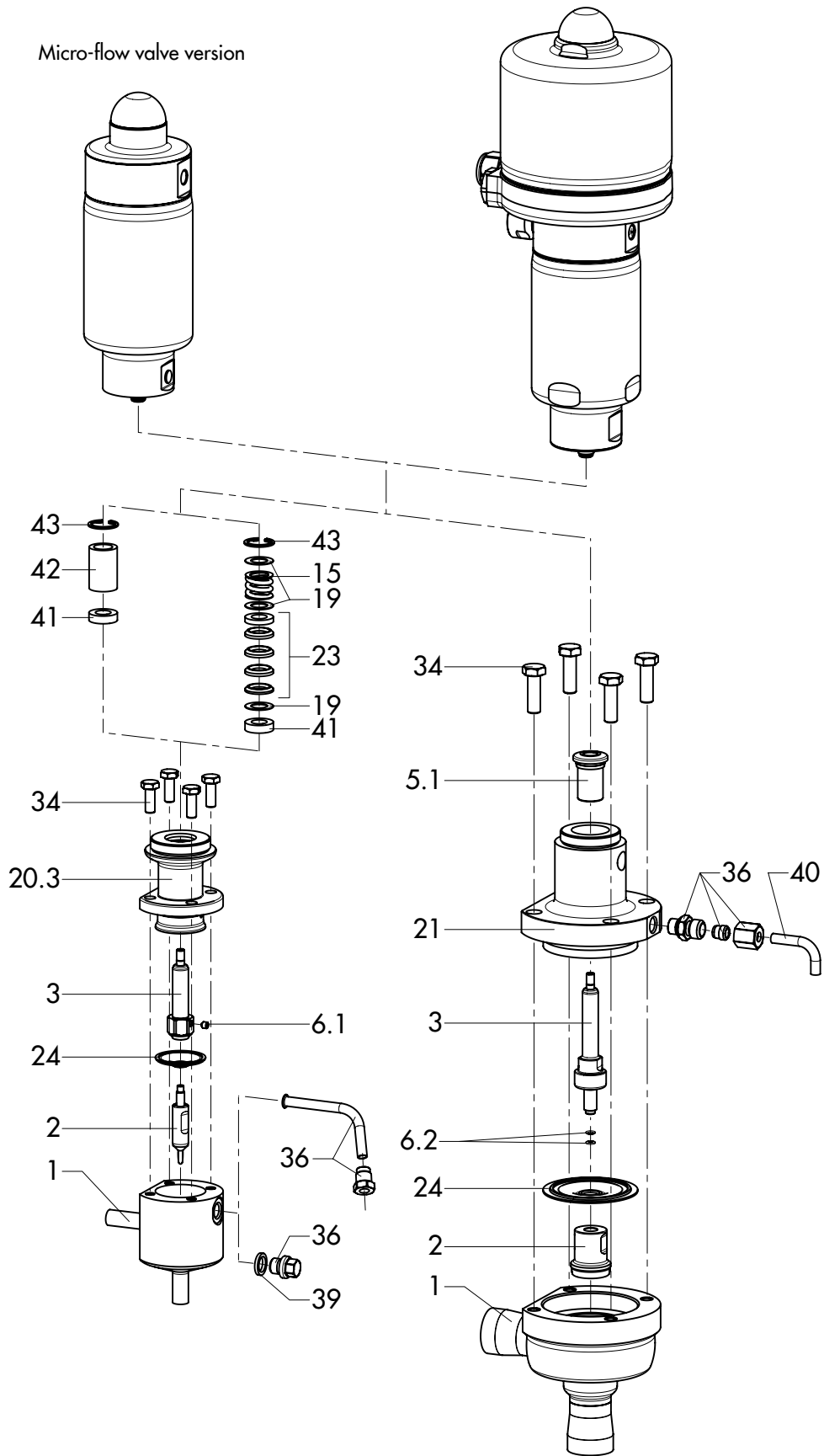
Micro-flow valve version

- 1 Type designation: 3349
- 2 Valve size:
- 3 Body material:
- 4 Maximum pressure:
- 5 Max. operating temperature:
- 6 Flow coefficient:
- Characteristic:
- 7 Seat-plug seal:
- 8 Serial number:
- 10 Direction of flow:
- 11 Compliance with food industry requirements:
- 12 PED compliance:
- 13 EAC compliance: month and year of production:
- 14 SAMSON marking for material and heat number:
- 15 Hardware version: HV01
- 16 Country of origin:

Type 3349 Valve with Type 3379 Actuator

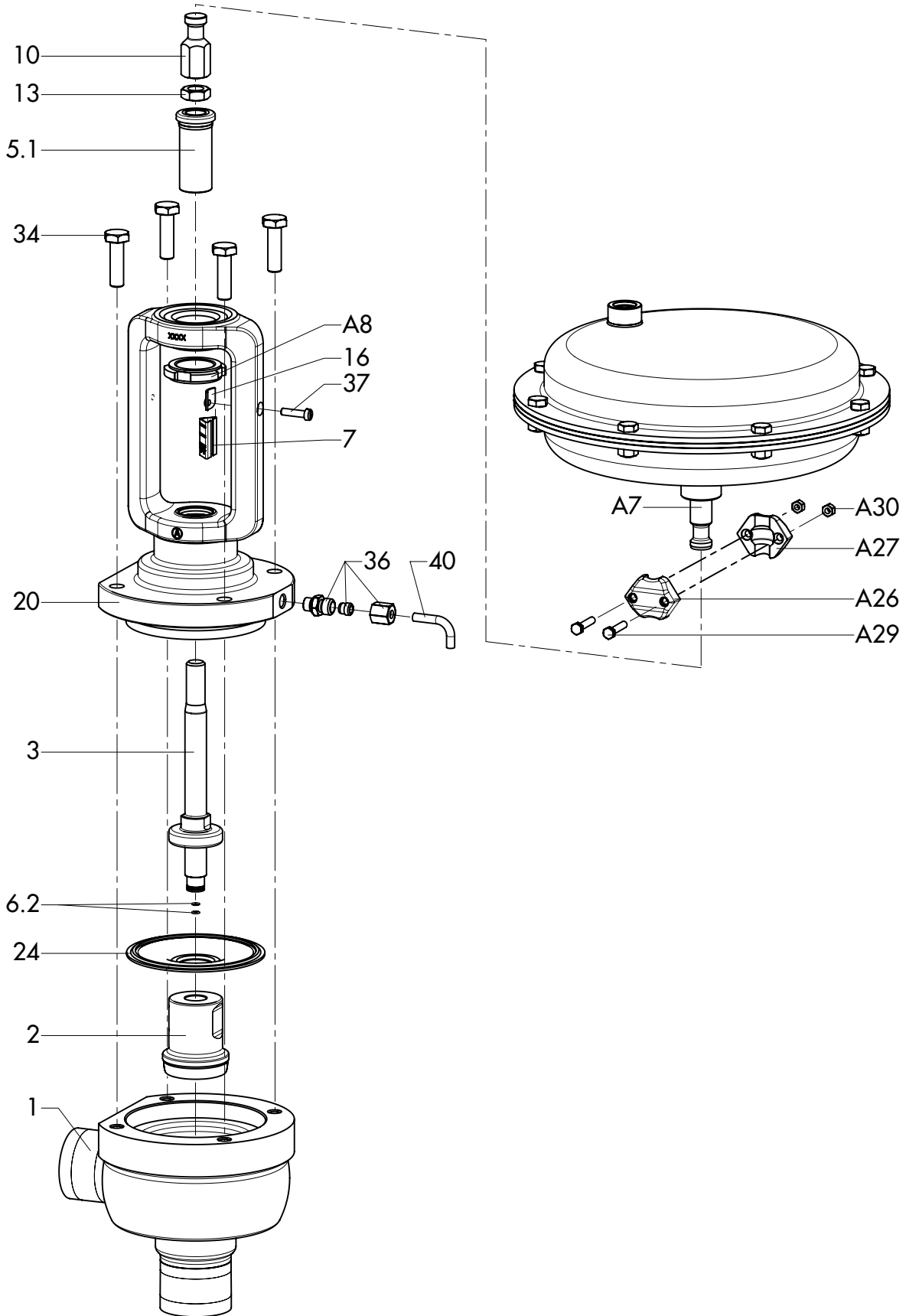
Micro-flow valve version

Standard version



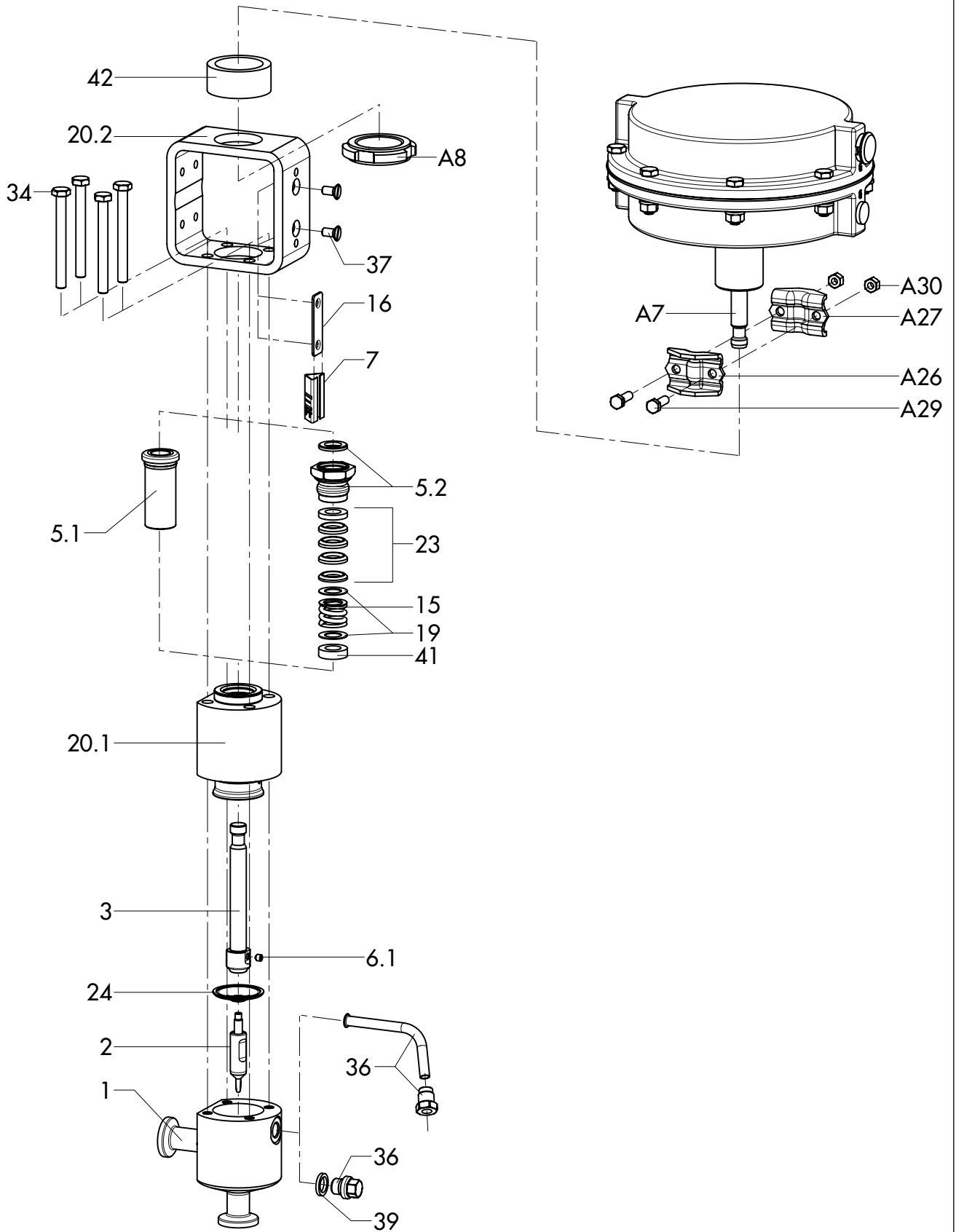
Type 3349 Valve with Type 3271/3277 Actuator

Standard version



Type 3349 Valve with Type 3271/3277 Actuator

Micro-flow valve version



Spare part no.		Qty.	Filled in by SAMSON: material no.
1	Body		
2	Plug		
3	Plug stem		
4	Diaphragm plate		
5	Plug stem seal		
5.1	Stem seal		
5.2	Threaded bushing		
6	Securing fixture (plug/plug stem connection)		
6.1	Threaded pin		
6.2	Safety washer		
7	Travel indicator scale		
10	Stem connector nut		
13	Lock nut		
15	Spring		
16	Hanger		
19	Washers		
20	Standard yoke for Type 3271/3277 Actuator		
20.1	Valve bonnet for micro-flow valve version with Type 3271/3277 Actuator		
20.2	Yoke for micro-flow valve version with Type 3271/3277 Actuator		
20.3	Valve bonnet for micro-flow valve version with Type 3379 Actuator		
21	Standard valve bonnet with Type 3379 Actuator		
23	Packing		
24	Diaphragm		
34	Screw		
36	Screw plug or nipple		
37	Screws		
39	Gasket		
40	Pipe		
41	Bearing		
42	Spacer		
43	Snap ring		
A7	Actuator stem		
A8	Ring nut		

Spare part no.		Qty.	Filled in by SAMSON: material no.
A26	Clamp		
A27	Clamp		
A29	Bolt		
A30	Nut		



Specifications subject to change without notice

---