

Type 3310 Segmented Ball Valve



Your contact details:

Title:

Name:

Company:

Customer no.

Street:

ZIP/postal code, city:

Country:

E-mail:

Phone:

Ordering spare parts

The spare parts for Type 3310 are listed on the next pages. This document can also be used for ordering:

1. Fill in your contact data and information on the product.
2. Enter the quantity of spare parts needed.
3. Click [Send form] button to attach the PDF form to an e-mail.
4. Attach additional information (e.g. invoice, photos) to the e-mail, if necessary.
5. Send e-mail to spareparts@samsongroup.com.

Either

Configuration ID (Var-ID):

or

SAMSON order no.:

Position in order:

or specifications on the nameplate

(description of the currently valid nameplate
▶ EB 8222-1)

2	Type designation:	3310	Version	Standard version
3	Serial number			Standard insulating section
4	Nominal size:			Special version
5	Pressure rating:		Application	NACE
6	Material:			Oxygen (GOX)
7	Flow coefficient:			Industrial gases
7	Characteristic:			Chlorine
8	Seat/ball sealing:			
13	Direction of flow and maximum opening angle			

Send form

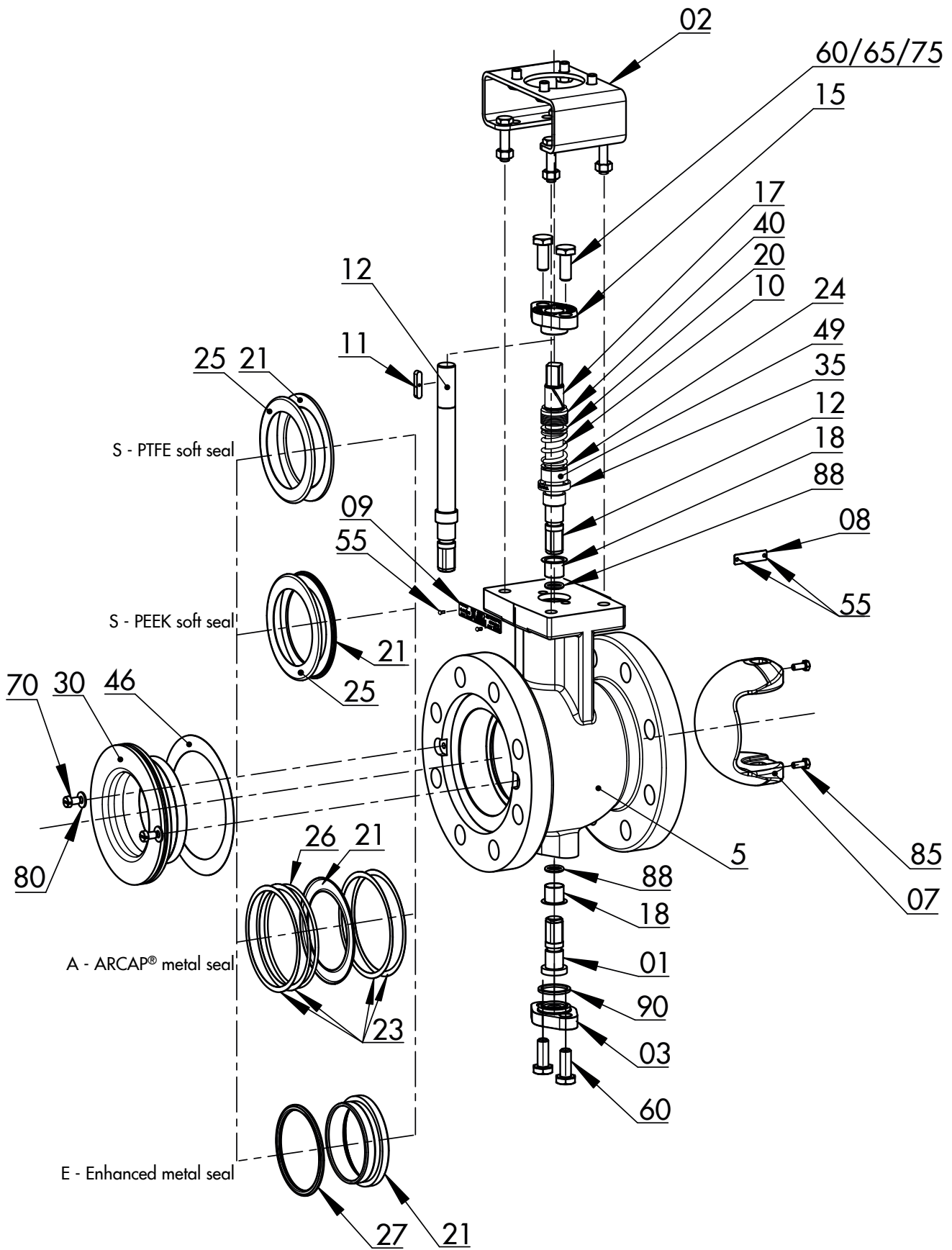
Print form

Clear form

Edition August 2023

Spare parts list

EL 8222-1 EN



Spare part no.		Qty.	Filled in by SAMSON: item number
1	Support shaft		
2	Yoke		
3	Bottom flange		
5	Body		
7	Segmented ball		
8	Arrow plate		
9	Nameplate		
10	Spring		
11	Key drive		
12	Valve shaft		
15	Packing gland		
17	Bearing bushing		
18	Bearing bushing		
20	Washer		
21	Seat ring		
23	Shim		
24	Sliding washer		
25	Support ring		
26	Metal O-ring		
27	Spring-loaded gasket		
30	Retainer		
35	Bushing		
40	Packing		
46	Retainer seal		
49	Spacer		
55	Round-head grooved pin		
60	Screw		
65	Stud		
70	Retaining screw		
75	Nut		
80	Washer		
85	Screw		
88	O-ring seal (as required)		
90	Seal		

Specifications subject to change without notice