

## Pneumatically Operated Valve DN 4 - 15 mm (1/4" - 1/2")

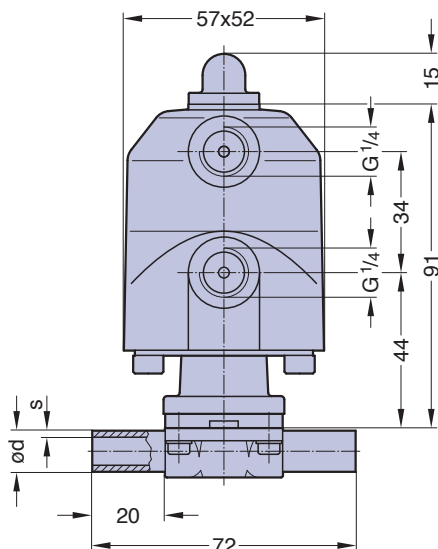


Cf. 1, 2 & 3



Cf. 4, 5 & 6

Butt weld ends  
MA 8  
Fold out page 21



### Features

- Efficient plastic piston actuator with stainless steel distance piece
- Direction of control air connection is mountable in 90° rotations
- CDSA sealing concept, see page 32
- Flexible diaphragm suspension
- Optical indicator

### Optional

- Available with a wide range of control equipment and accessories see page 132 to 139, also for retrofitting

### Technical Data

Control function (Cf.): Pneumatically operated  
 Fail safe close (NC): Cf. 1 & 4  
 Fail safe open (NO): Cf. 2 & 5  
 Double acting (DA): Cf. 3 & 6  
 At control function NO/DA higher control pressure than required may affect the lifetime of the working diaphragm.

Direction  
 Control connection: At Cf. 1, 2 & 3, 90° to flow direction, standard  
 At Cf. 4, 5 & 6 in flow direction

Max. working pressure: Unidirectional (delta p = 100%)  
 EPDM diaphragm 8 bar (115 psi)  
 PTFE diaphragm 7 bar (100 psi)

Higher working pressure may be achieved with different actuator. Please consult a SED factory representative for working pressure above the indicated maximum.

Max. working temperature: 160°C (320°F) dependent on application  
 Control pressure: Cf. 1 & 4 4 - 7 bar (60 - 100 psi)  
 Cf. 2, 3, 5 & 6 3,5 - 4,5 bar (50 - 65 psi)

Diaphragm material: EPDM or PTFE  
 Valve body material: Forged 1.4435/ 316 L ASME/BPE  
 Investment cast 1.4435/ 316 L  
 Other alloys

End connection: Butt weld ends see fold out page 21  
 Clamps and flanges see page 22 to 24  
 Special ends

Actuators suitable for: Two-Way bodies  
 Welded configurations  
 T-bodies  
 Multiport bodies  
 Tank bottom bodies

Flow rate: Kv in m<sup>3</sup>/h (Cv in GPM) see page 9  
 Diaphragm size: MA 8  
 Weight: ca. 0,5 kg

Technical data also valid for multiport valve.

DN (mm)	MA	Filling volume (NL)	
		NC	NO/DA
4-15	8	0,027	0,027

Valve type overview see page 26 and 27.  
 Ordering key see page 66 to 68.