

T 2640 EN**Type 2371-10 and Type 2371-11 Pressure Reducing Valves for the Food and Pharmaceutical Industries**

Series 2371 Pressure Regulators with pneumatic or manual set point adjustment

**Application**

Pressure reducing valves with USP-VI diaphragm for the food and pharmaceutical industries

Set point ranges from **0.4 to 6 bar/6 to 90 psi** · K_{VS} **0.63 to 16/C_V 0.75 to 20** · Nominal size **DN 15 to 50/NPS ½ to 2** · Suitable for liquids and gases from **0 to +160 °C/32 to 320 °F** · Max. operating pressure (inlet pressure) **10 bar/150 psi**The valve closes when the output pressure **rises**.**Special features**

- Proportional pressure regulators for use in the food processing and pharmaceutical industries
- Wetted inside surfaces with a surface roughness $R_a \leq 0.8 \mu\text{m}$; outside surface glass bead blasted
- Stainless steel 1.4404/316L or 1.4409/CF3M
- FDA-compliant materials
- Angle body
- USP Class VI-121 °C compliance
- Body free of dead cavities
- Leakage monitoring of the diaphragm

Version

Pressure reducing valve with diaphragm to control the outlet pressure to the adjustable set point. The set point adjustment in Type 2371-10 is pneumatic¹⁾. The set point of Type 2371-11 is adjusted manually by tensioning the set point spring. Angle valve · Bar stock version · DN 15 to 50/NPS ½ to 2 · Standard with metal-seated plug or optionally with soft-seated special plug · Maximum pressure 10 bar/150 psi. The regulator can be fitted with a stem locking facility to keep the plug open during CIP (Cleaning in Place) or SIP (Sterilization in Place) · Diaphragm leakage monitoring using a test connection · Body free of cavities allows the valve to be cleaned inside properly.

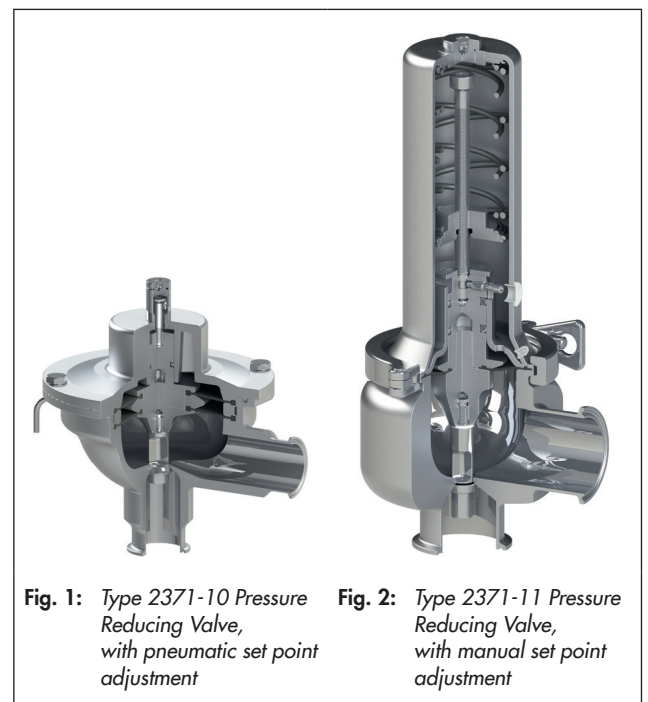
Connections**Threaded connections:** DIN 11864-1 GS form A, Series A, B, C/DIN 11887 A Series 1/ISO 2853 = IDF/SMS 1146**Clamp connections:** DIN 11864-3 NKS form A, Series A, B, C/DIN 32676 Series A, B, C/ISO 2852/BS 4825 Part 3 = ASME BPE**Flanges:** DIN 11864-2 NF form A, Series A, B, C

Fig. 1: Type 2371-10 Pressure Reducing Valve, with pneumatic set point adjustment

Fig. 2: Type 2371-11 Pressure Reducing Valve, with manual set point adjustment

Special versions**Material:** body and plug in 1.4435, other materials on request**Nominal size:** DN 50 body with DN 65 connections**Plug seal:** pure PEEK (Victrex® 450G)**Surface finish:** inside roughness: $R_a \leq 0.6$ (polished) or $R_a \leq 0.4$ (satin finish or mirror finish); external roughness: $R_a \leq 0.6$ (polished)**End connections:** flanges DIN EN 1092-1 B2, ASME B16.5 Class 150, other end connections on request

¹⁾ External supply air (e.g. compressed air) required.

Principle of operation (see Fig. 5 and Fig. 4)

The medium flows through the valve body (1) in the direction indicated by the arrow. The position of the plug (3) determines the flow rate across the area released between plug and valve seat (2).

The valve closes when the downstream pressure (p_2) rises above the adjusted set point. The resulting output pressure p_2 depends on the flow rate.

Any medium escaping from the test connection (11) indicates that the operating diaphragm (4) may be leaking or the diaphragm has ruptured. The test connection of Type 2371-10 is connected to a flexible pipe elbow to discharge any medium escaping.

Type 2371-11: version with manual set point adjustment (see Chapter Fig. 4)

In the idle state, the valve is kept open by the set point springs (7). The valve closes when the output pressure p_2 acting on the diaphragm (4) and the resulting force exceed the force of the springs.

The set point is adjusted using an Allen key (8 mm), which is inserted through the adjustment opening (6.1) on top of the housing onto the set point screw (6). The blanking plug must first be removed. If necessary, the set point screw can be secured by the locking screw (12) in the upper plug section to prevent the set point screw from loosening due to vibrations, causing the set point to change.

The washer (15) serves as a bottom end stop to protect the diaphragm from overload and to prevent parts from falling apart inadvertently while the regulator is being dismantled.

Turning the set point screw clockwise causes the spring plate (7.1) to move upwards and increases the spring force and the set point. Turning the set point screw counterclockwise relieves the spring tension and reduces the set point.

Type 2371-10: version with pneumatic set point adjustment (see Fig. 5)

In the idle state, the valve is kept open by the set point pressure p_c (compressed air) ($p_{c \max} = 8 \text{ bar}$). When the force created by the output pressure p_2 acting on the diaphragm exceeds the force resulting from the set point pressure p_c , the plug (3) moves towards the seat (2), closing the passage. In this case, the ratio between p_1 and p_c is not necessarily 1:1. As the output pressure p_2 drops, the resulting force reduces again. The valve is opened again when the pressure falls below the set point pressure p_c .

The two diaphragms (4.1) provide a certain amount of safety when one of the diaphragms ruptures and prevents the process medium and external pressure medium from mixing.

The screw (12) prevents parts from falling apart inadvertently while the regulator is being dismantled.

The screw (15) serves as a bottom end stop to protect the diaphragm from overload and to prevent parts from falling apart inadvertently while the regulator is being dismantled.

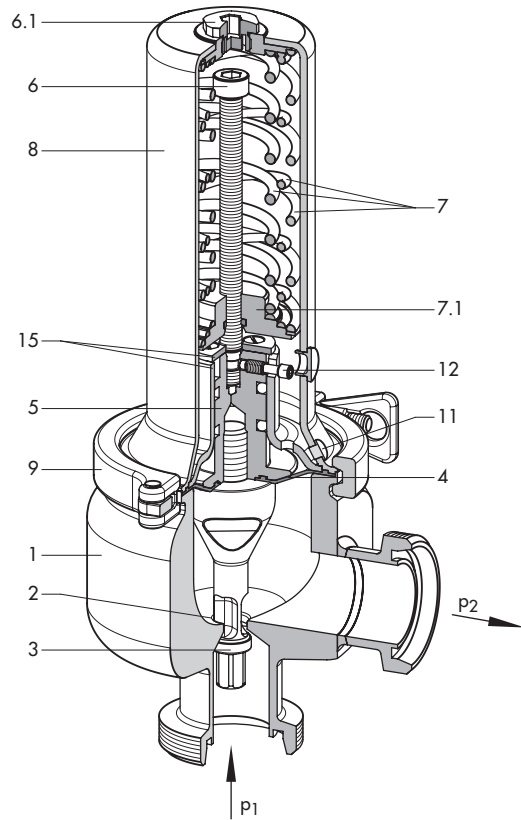


Fig. 4: Principle of operation: Type 2371-11 (manual set point adjustment)

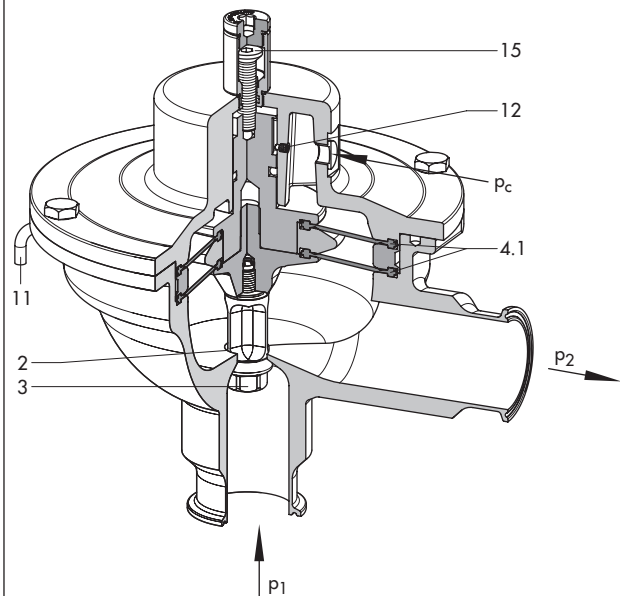


Fig. 5: Principle of operation: Type 2371-10 (pneumatic set point adjustment)

Stem locking for CIP or SIP (see Fig. 3)

The Type 2371-10 and Type 2371-11 Regulators can be fitted with a stem locking to keep the plug in the open position. In this version, the plug can be locked in the open position to allow the valve to be cleaned (CIP = Cleaning In Place or SIP = Sterilization In Place) while it is open.

The stem can be locked in place pneumatically by an additional pneumatic unit with compressed air connection (for Types 2371-10 and 2371-11) or manually using a special pin (for Type 2371-11 only).

The pneumatic and manual stem locking do not affect the control function of the valve, provided the stem locking is not engaged.

The pneumatic unit for the pneumatic stem locking is located on the top of the regulator. The unit can be mounted in any position since the axial fixture of the unit allows it to turn 360°.

The pin (13) of the manual stem locking is screwed into the adjustment opening in place of the blanking plug (6.1).

Pneumatic stem locking (see Fig. 3.1 and Fig. 3.2)

Type 2371-10: to open the valve, apply a pressure $p_V = 1$ bar to the pneumatic unit. This causes the plug stem to move together with the plug out of the valve seat. A set point pressure p_C must not be applied to the regulator in this case.

To switch the valve back to its control function, remove the pressure $p_V (= 1 \text{ bar})$. The spring (16) pulls the actuating unit back, allowing the plug stem to move again for the control task (see Fig. 3.2).

Type 2371-11: to open the valve, apply a pressure $p_V (= 6 \text{ bar})$ to the pneumatic unit. This causes the plug stem to move together with the plug out of the valve seat and opens the valve.

To switch the valve back to its control function, remove the pressure $p_V (= 6 \text{ bar})$. The spring (16) pulls the actuating unit back, allowing the plug stem to move again for the control task (see Fig. 3.2).

Manual stem locking

Type 2371-11 only (see Fig. 3.3): to lock the stem into place, screw the pin (13) into the opening on top of the actuator housing in place of the blanking plug (6.1). The end of the pin comes to rest on the head of the set point screw (6). As the pin is screwed into the valve, it pushes the plug into the open position over the set point screw (6) and upper plug section (5). A mechanical stop (15) prevents it from being screwed in any further, protecting the diaphragm from overstretching or rupturing.

Use the lock nut (14) to keep this position. When the groove of the pin is completely concealed, the stem locking is active, whereas a visible groove means it is disengaged.

Installation

The regulator has an angle-style valve body. Install the valve free of stress into the pipeline. Observe the following:

- The valve axis must be vertical (actuator housing on top) and, as a result, the outlet must face to the side in the installed position.

- The direction of flow must match the direction indicated by the arrow on the body (inlet at the bottom and outlet at the side).

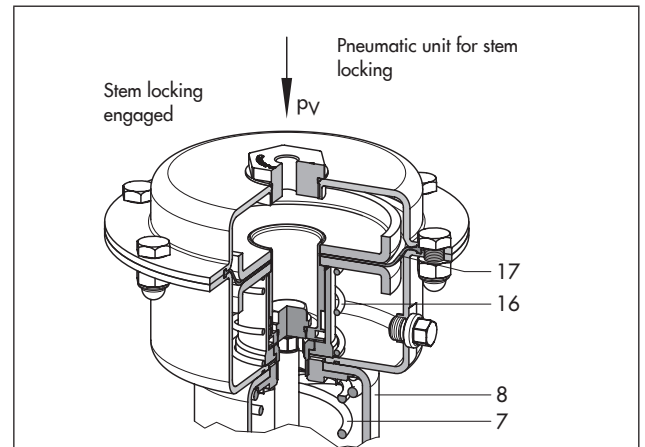


Fig. 3.1: Pneumatic stem locking: Type 2371-10/-11

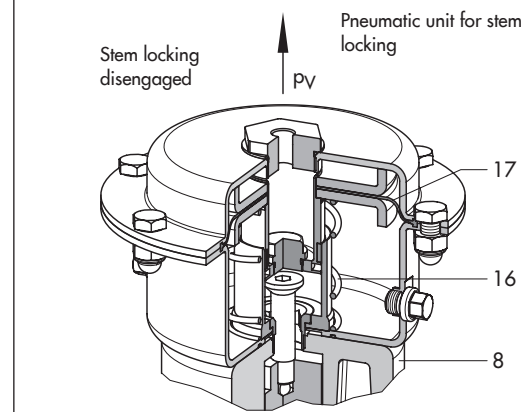


Fig. 3.2: Pneumatic stem locking: Type 2371-10/-11

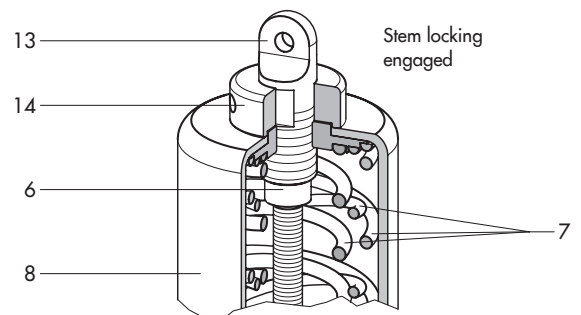


Fig. 3.3: Manual stem locking: Type 2371-11

- P_V Pressure for stem locking
- P_C Set point pressure, external

Fig. 3: Stem locking

Table 1: Technical data · All pressures in psi and bar (gauge)

| Type 2371-10 or -11 Pressure Reducing Valve | | DIN | | | | | | ANSI | | | | | |
|---|--|--|-------|-------|--------------|----------------------------|--------------|--|-------|-------|---------------|------------------------------|----------------|
| Nominal size | | DN 15 | DN 20 | DN 25 | DN 32 | DN 40 | DN 50 | NPS ½ | NPS ¾ | NPS 1 | NPS 1¼ | NPS 1½ | NPS 2 |
| Set point ranges | Type 2371-10 K _{Vs} 10/C _V 12 | - | | | 0.5 to 6 bar | | | - | | | 7.5 to 90 psi | | |
| | K _{Vs} 16/C _V 20 | | | | - | 2.5 to 6 bar ²⁾ | 2.5 to 6 bar | | | | - | 37.5 to 90 psi ²⁾ | 37.5 to 90 psi |
| | Type 2371-11 | 0.4 to 1.2 bar · 1 to 3 bar · 2.5 to 4.5 bar · 4 to 6 bar | | | | | | 6 to 18 psi · 15 to 45 psi · 35 to 65 psi · 60 to 90 psi | | | | | |
| Pneumatic control connection | Type 2371-10 | | | | | | | G ¼ | | | | | |
| | CIP | | | | | | | G ⅜ | | | | | |
| Maximum pressure | | 10 bar | | | | | | 150 psi | | | | | |
| Max. perm. temperatures | Operating temperature | 0 to 160 °C | | | | | | 32 to 320 °F | | | | | |
| | Sterilization temperature | 180 °C for up to 30 minutes | | | | | | 356 °F for up to 30 minutes | | | | | |
| Leakage class DIN EN/ANSI | Metal seal | Class I (≤0.05 % of K _{Vs} /C _V coefficient) | | | | | | | | | | | |
| | Soft seal | Class IV (≤0.01 % of K _{Vs} /C _V coefficient) | | | | | | | | | | | |
| Peak-to-valley height and surface finish | External | Glass bead blasted ¹⁾ · Ra ≤0.6 µm, polished | | | | | | | | | | | |
| | Internal | Ra ≤0.8 µm, precision-lathed ¹⁾ · Ra ≤0.6 µm, polished · Ra ≤0.4 µm, satin finish · Ra ≤0.4 µm, mirror finish | | | | | | | | | | | |
| Conformity | | CE EAC | | | | | | | | | | | |

¹⁾ Standard version

²⁾ The internal diameter of the inlet must be greater than Ø40 mm to allow correct installation of the plug

Table 2: K_{Vs} and C_V coefficients

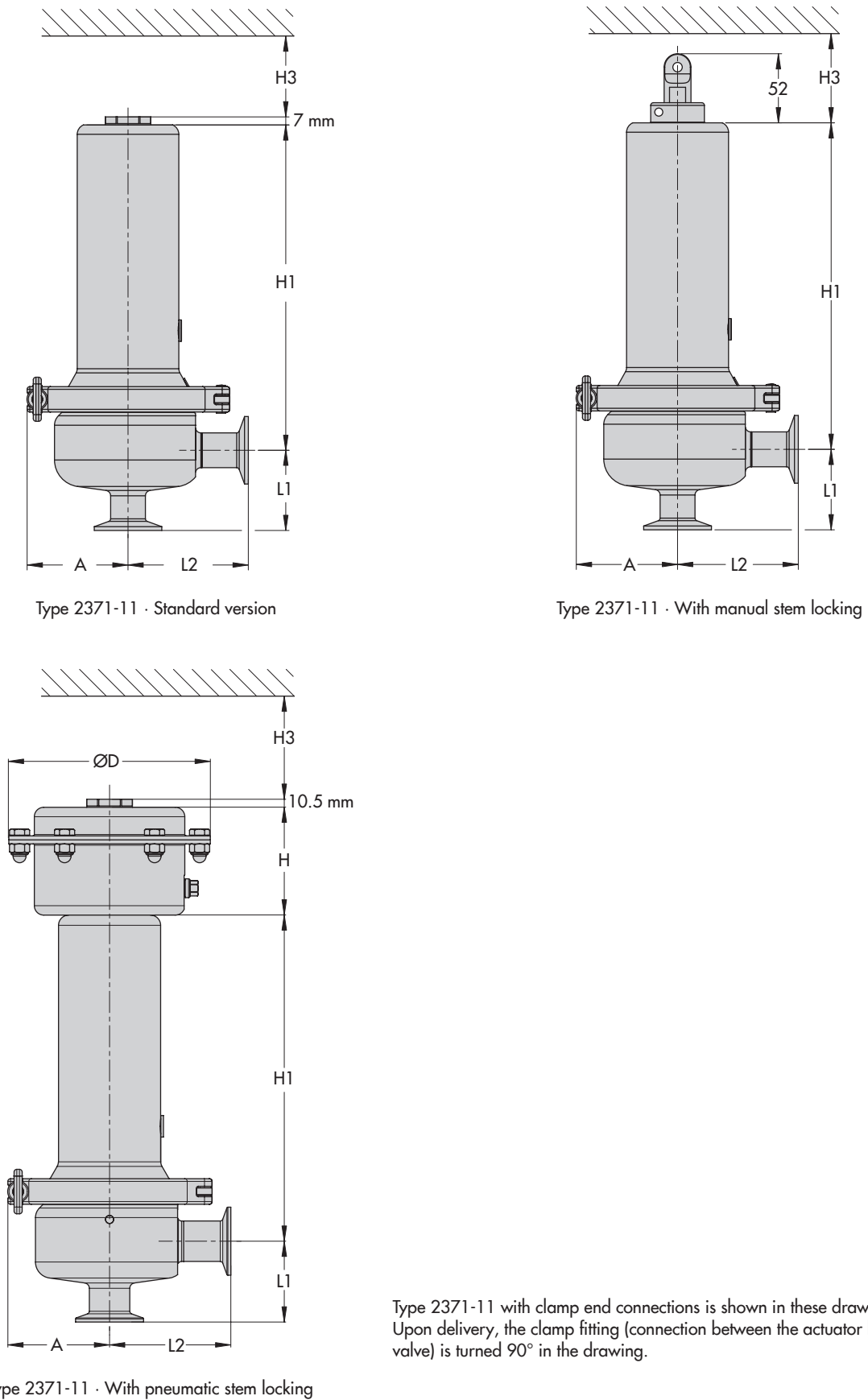
| Nominal size | DN 15 | DN 20 | DN 25 | DN 32 | DN 40 | DN 50 | NPS ½ | NPS ¾ | NPS 1 | NPS 1¼ | NPS 1½ | NPS 2 |
|---------------------------------|-----------------------------------|-------|---------|-------|------------------------------|-------|-----------------------------------|---------|-------|--------|--------|---------|
| Version | DIN (K _{Vs} coefficient) | | | | | | ANSI (C _V coefficient) | | | | | |
| Type 2371-10 | | | | | | | | | | | | |
| K _{Vs} /C _V | - | | 10 | | 10 · 16 | | - | | | 12 | | 12 · 20 |
| Type 2371-11 | | | | | | | | | | | | |
| K _{Vs} /C _V | 0.63 ¹⁾ · 1.0 · 3.5 | | 2 · 5.2 | | 0.75 ¹⁾ · 1.2 · 4 | | | 2.5 · 6 | | | | |

¹⁾ Plug with soft seal

Table 3: Materials · Material numbers according to ASTM and DIN EN

| Pressure reducing valve | Type 2371-10 | | | | Type 2371-11 | | | |
|-------------------------|---------------------------|--|------|--|--------------|--|------|--|
| | DIN | | ANSI | | DIN | | ANSI | |
| Version | DIN | | ANSI | | DIN | | ANSI | |
| Body | 1.4409 | | CF3M | | 1.4404 | | 316L | |
| Plug | Metal seal | | 316L | | 1.4404 | | 316L | |
| | Seal for soft-seated plug | | EPDM | | | | | |
| Diaphragm | PTFE-coated EPDM | | | | | | | |
| Cover | 1.4409 | | CF3M | | 1.4404 | | 316L | |
| Springs | 1.4310 | | | | | | | |

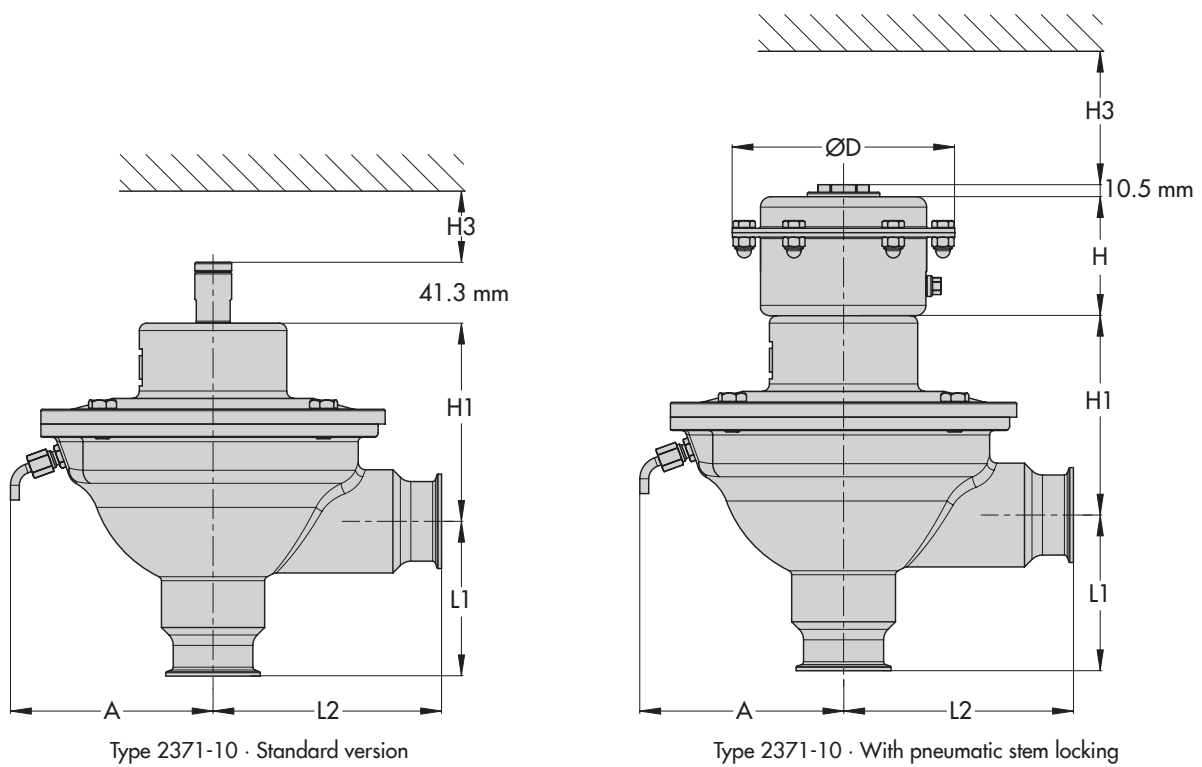
Dimensions of Type 2371-11 (dimensions in Table 7 to Table 4)



Type 2371-11 with clamp end connections is shown in these drawings. Upon delivery, the clamp fitting (connection between the actuator housing and valve) is turned 90° in the drawing.

Fig. 6: Dimensional drawings for Type 2371-11

Dimensions of Type 2371-10 (dimensions in Table 4 to Table 7)



Type 2371-10 with clamp end connections is shown in these drawings.

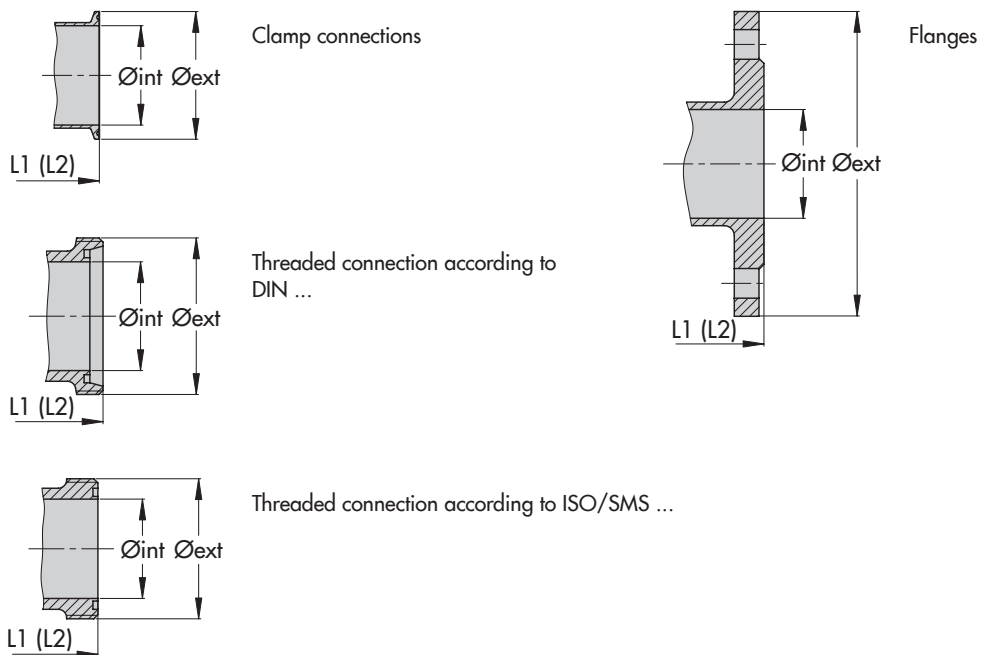


Fig. 7: Dimensional drawings of Type 2371-10 · End connections

Table 4: Threaded connections · All dimensions in mm (see Fig. 6 und Fig. 7)

| Pressure reducing valve | Nominal size | Type 2371-11 | | | | | Type 2371-10 | | | | |
|--------------------------------------|------------------|------------------|------------------|----------------|--------------------|--------------------|----------------|--------------------|--------------------|----------------|--|
| | | DN 15 NPS 1/2 | DN 20 NPS 3/4 | DN 25 NPS 1 | DN 32 NPS 1 1/4 | DN 40 NPS 1 1/2 | DN 50 NPS 2 | DN 32 NPS 1 1/4 | DN 40 NPS 1 1/2 | DN 50 NPS 2 | |
| DIN 11864-1 GS form A Series A | P _{max} | 10 bar/150 psi | | | | | | | | | |
| | L1 | 55 | | 60 | | 65 | 70 | 105 | | | |
| | L2 | 90 | | | | | | 155 | | | |
| | Ø _{int} | 16 | 20 | 26 | 32 | 38 | 50 | 32 | 38 | 50 | |
| | Ø _{ext} | RD 34x1/8" | RD 44x1/8" | RD 52x1/8" | RD 58x1/8" | RD 65x1/8" | RD 78x1/8" | RD 58x1/8" | RD 65x1/8" | RD 78x1/8" | |
| DIN 11864-1 GS form A Series B | P _{max} | 10 bar/150 psi | | | | | | | | | |
| | L1 | 55 | | 60 | | 65 | 70 | 105 | | | |
| | L2 | 90 | | | | | | 155 | | | |
| | Ø _{int} | 18.1 | 23.7 | 29.7 | 38.4 | 44.3 | 56.3 | 38.4 | 44.3 | 56.3 | |
| | Ø _{ext} | RD 44x1/8" | RD 52x1/8" | RD 58x1/8" | RD 65x1/8" | RD 78x1/8" | RD 95x1/8" | RD 65x1/8" | RD 78x1/8" | RD 95x1/8" | |
| DIN 11864-1 GS form A Series C | P _{max} | 10 bar/150 psi | | | | | | | | | |
| | L1 | – | 55 | 60 | – | 65 | 70 | – | 105 | | |
| | L2 | – | 90 | | – | 90 | | – | 155 | | |
| | Ø _{int} | – | 15.75 | 22.1 | – | 34.8 | 47.5 | – | 34.8 | 47.5 | |
| | Ø _{ext} | – | RD 34x1/8" | RD 52x1/8" | – | RD 65x1/8" | RD 78x1/8" | – | RD 65x1/8" | RD 78x1/8" | |
| DIN 11887 A Series 1 | P _{max} | 10 bar/150 psi | | | | | | | | | |
| | L1 | 55 | | 60 | | 65 | 70 | 105 | | | |
| | L2 | 90 | | | | | | 155 | | | |
| | Ø _{int} | 16 | 20 | 26 | 32 | 38 | 50 | 32 | 38 | 50 | |
| | Ø _{ext} | RD 34x1/8" | RD 44x1/8" | RD 52x1/8" | RD 58x1/8" | RD 65x1/8" | RD 78x1/8" | RD 58x1/8" | RD 65x1/8" | RD 78x1/8" | |
| ISO 2853 = IDF | P _{max} | 10 bar/150 psi | | | | | | | | | |
| | L1 | – | – | 60 | | 65 | 70 | 105 | | | |
| | L2 | – | – | 90 | | | | | | 155 | |
| | Ø _{int} | – | – | 22.6 | 31.3 | 35.6 | 48.6 | 31.3 | 35.6 | 48.6 | |
| | Ø _{ext} | – | – | 37x1/8" | 45.9x1/8" | 50.6x1/8" | 64.1x1/8" | 45.9x1/8" | 50.6x1/8" | 64.1x1/8" | |
| SMS 1146 | P _{max} | 6 bar/87 psi | | | | | | | | | |
| | L1 | – | – | 60 | | 65 | 70 | 105 | | | |
| | L2 | – | – | 90 | | | | | | 155 | |
| | Ø _{int} | – | – | 22.6 | 29.6 | 35.6 | 48.6 | 29.6 | 35.6 | 48.6 | |
| | Ø _{ext} | – | – | RD 40x1/8" | RD 48x1/8" | RD 60x1/8" | RD 70x1/8" | RD 48x1/8" | RD 60x1/8" | RD 70x1/8" | |

Table 5: Clamp connections · All dimensions in mm (see Fig. 6 and Fig. 7)

| Pressure reducing valve | Nominal size | Type 2371-11 | | | | | Type 2371-10 | | | |
|---------------------------------------|------------------|----------------|---------------------|----------------|-----------------|-----------------|----------------|-----------------|-----------------|----------------|
| | | DN 15 NPS ½ | DN 20 NPS ¾ | DN 25 NPS 1 | DN 32 NPS 1¼ | DN 40 NPS 1½ | DN 50 NPS 2 | DN 32 NPS 1¼ | DN 40 NPS 1½ | DN 50 NPS 2 |
| DIN 11864-3 NKS form A Series A | P _{max} | 10 bar/150 psi | | | | | | | | |
| | L1 | 55 | | 60 | | 65 | 70 | 105 | | |
| | L2 | 90 | | | | | | 155 | | |
| | Ø _{int} | 16 | 20 | 26 | 32 | 38 | 50 | 32 | 38 | 50 |
| | Ø _{ext} | 34 | 50.5 | | | 64 | 77.5 | 50.5 | 64 | 77.5 |
| DIN 11864-3 NKS form A Series B | P _{max} | 10 bar/150 psi | | | | | | | | |
| | L1 | 55 | | 60 | | 65 | 70 | 105 | | |
| | L2 | 90 | | | | | | 155 | | |
| | Ø _{int} | 18.1 | 23.7 | 29.7 | 38.4 | 44.3 | 56.3 | 38.4 | 44.3 | 56.3 |
| | Ø _{ext} | 34 | 50.5 | | 64 | | 91 | 64 | | 91 |
| DIN 11864-3 NKS form A Series C | P _{max} | 10 bar/150 psi | | | | | | | | |
| | L1 | - | 55 | 60 | - | 65 | 70 | - | 105 | |
| | L2 | - | 90 | | - | 90 | | - | 155 | |
| | Ø _{int} | - | 15.75 | 22.1 | - | 34.8 | 47.5 | - | 34.8 | 47.5 |
| | Ø _{ext} | - | 34 | 50.5 | - | 64 | 77.5 | - | 64 | 77.5 |
| DIN 32676, Series A | P _{max} | 10 bar/150 psi | | | | | | | | |
| | L1 | 55 | | 60 | | 65 | 70 | 105 | | |
| | L2 | 90 | | | | | | 155 | | |
| | Ø _{int} | 16 | 20 | 26 | 32 | 38 | 50 | 32 | 38 | 50 |
| | Ø _{ext} | 34 | | 50.5 | | | 64 | 50.5 | | 64 |
| DIN 32676 Series B | P _{max} | 10 bar/150 psi | | | | | | | | |
| | L1 | 55 | | 60 | | 65 | 70 | 105 | | |
| | L2 | 90 | | | | | | 155 | | |
| | Ø _{int} | 18.1 | 23.7 | 29.7 | 38.4 | 44.3 | 56.3 | 38.4 | 44.3 | 56.3 |
| | Ø _{ext} | 50.5 | | | 64 | | 77.5 | 64 | | 77.5 |
| DIN 32676 Series C | P _{max} | 10 bar/150 psi | | | | | | | | |
| | L1 | - | 55 | 60 | - | 65 | 70 | - | 105 | |
| | L2 | - | 90 | | - | 90 | | - | 155 | |
| | Ø _{int} | - | 15.75 | 22.1 | - | 34.8 | 47.5 | - | 34.8 | 47.5 |
| | Ø _{ext} | - | 25 | 50.5 | - | 50.5 | 64 | - | 50.5 | 64 |
| ISO 2852 | P _{max} | 10 bar/150 psi | | | | | | | | |
| | L1 | - | - | 60 | | 65 | 70 | 105 | | |
| | L2 | - | - | 90 | | | | 155 | | |
| | Ø _{int} | - | - | 22.6 | 31.3 | 35.6 | 48.6 | 31.3 | 35.6 | 48.6 |
| | Ø _{ext} | - | - | 50.5 | | | 64 | 50.5 | | 64 |
| BS 4825 Part 3 = ASME BPE | P _{max} | 10 bar/150 psi | | | | | | | | |
| | L1 | - | 55 ¹⁾ | 60 | - | 65 | 70 | - | 105 | |
| | L2 | - | 90 ¹⁾ | 90 | - | 90 | | - | 155 | |
| | Ø _{int} | - | 15.75 ¹⁾ | 22.2 | - | 34.9 | 47.6 | - | 34.9 | 47.6 |
| | Ø _{ext} | - | 25 ¹⁾ | 50.5 | - | 50.5 | 64 | - | 50.5 | 64 |

¹⁾ Version according to ASME BPE only

Table 6: Flanges · All dimensions in mm (see Fig. 6 and Fig. 7)

| Pressure reducing valve | Nominal size | Type 2371-11 | | | | | | Type 2371-10 | | |
|---|------------------|----------------|----------------|----------------|-----------------|-----------------|----------------|-----------------|-----------------|----------------|
| | | DN 15 NPS ½ | DN 20 NPS ¾ | DN 25 NPS 1 | DN 32 NPS 1¼ | DN 40 NPS 1½ | DN 50 NPS 2 | DN 32 NPS 1¼ | DN 40 NPS 1½ | DN 50 NPS 2 |
| DIN 11864-2 NF form A Series A | P _{max} | 10 bar/150 psi | | | | | | | | |
| | L1 | 90 | 95 | 100 | 105 | 115 | 125 | 105 | | |
| | L2 | 90 | 95 | 100 | 105 | 115 | 125 | 155 | | |
| | Ø _{int} | 16 | 20 | 26 | 32 | 38 | 50 | 32 | 38 | 50 |
| | Ø _{ext} | 59 | 64 | 70 | 76 | 82 | 94 | 76 | 82 | 94 |
| DIN 11864-2 NF form A Series B | P _{max} | 10 bar/150 psi | | | | | | | | |
| | L1 | 90 | 95 | 100 | 105 | 115 | 125 | 105 | | |
| | L2 | 90 | 95 | 100 | 105 | 115 | 125 | 155 | | |
| | Ø _{int} | 18.1 | 23.7 | 29.7 | 38.4 | 44.3 | 56.3 | 38.4 | 44.3 | 56.3 |
| | Ø _{ext} | 62 | 69 | 74 | 82 | 88 | 103 | 82 | 88 | 103 |
| DIN 11864-2 NF form A Series C | P _{max} | 10 bar/150 psi | | | | | | | | |
| | L1 | – | 95 | 100 | – | 115 | 125 | – | 105 | |
| | L2 | – | 95 | 100 | – | 115 | 125 | – | 155 | |
| | Ø _{int} | – | 15.75 | 22.1 | – | 34.8 | 47.5 | – | 34.8 | 47.5 |
| | Ø _{ext} | – | 59 | 66 | – | 79 | 92 | – | 79 | 92 |
| DIN EN 1092-1 B2 or ASME B16.5 Cl 150 | | On request | | | | | | | | |

Table 7: General · All dimensions in mm (see Fig. 6 and Fig. 7)

| Pressure reducing valve | Nominal size | Type 2371-11 | | | | | | Type 2371-10 | | |
|------------------------------|--------------|----------------|----------------|----------------|-----------------|-----------------|----------------|-----------------|-----------------|----------------|
| | | DN 15 NPS ½ | DN 20 NPS ¾ | DN 25 NPS 1 | DN 32 NPS 1¼ | DN 40 NPS 1½ | DN 50 NPS 2 | DN 32 NPS 1¼ | DN 40 NPS 1½ | DN 50 NPS 2 |
| Common dimensions | A | 85 | | | | | | 145 | | |
| | H | 80 | | | | | | | | |
| | H1 | 245 | | | 260 | | | 180 | | |
| | H3 | 200 | | | | | | | | |
| | ØD | 150 | | | | | | | | |
| Weight, approx. kg/lb | | | | | | | | | | |
| Types 2371-10/-11 | | 8.5/19 | | | 11/24.3 | | | 15/33 | | |
| Stem locking | | | | | | | | | | |
| Pneumatic unit | | 2.5/5.5 | | | | | | | | |
| Screw (pin) | | 0.1/0.25 | | | | | | | | |

Ordering text

Type 2371-10 and Type 2371-11 **Pressure Reducing Valves**

Type 2371-10 · Pneumatic set point adjustment

Set point range ...
depending on K_{VS}/C_V

Type 2371-11 · Manual set point adjustment

Set point range ...
 K_{VS} coefficient/ C_V coefficient ...

Nominal size DN .../NPS ...

Plug with metal/soft seal

Type of connection:

Threaded connections according to .../clamp connections according to .../flanges according to ...

Stem locking: pneumatic/manual