

Pneumatically Operated Valve DN 8 - 20 mm (3/8" - 3/4")



Features

- Two stage stainless steel actuator
- Second position adjustable with reduced flow for filling
- Compact design, the outside diameter of the actuator is the same size as the bonnet flange
- Advantages in multiport bodies and manifold valve assemblies
- Control air connection in flow direction
- CDSA sealing concept, see page 32
- Flexible diaphragm suspension
- Encapsulated diaphragm
- Clean and polished exterior design ideal for sterile wash downs
- Optical indicator

Optional

- Available with a wide range of control equipment and accessories see page 132 to 139, also for retrofitting
- Control air connection 90° to flow direction
- Autoclavable
- Indication of 3 positions with 024.50, see page 138 and 139
- Fine filling adjustment

Technical Data

Control function (Cf.): Pneumatically operated
 Fail safe close (NC): Cf. 1 & 4
 At control function NO/DA higher control pressure than required may affect the lifetime of the working diaphragm.

Direction

Control connection: At Cf. 4 in flow direction, standard
 At Cf. 1, 90° to flow direction

Max. working pressure: Unidirectional ($\Delta p = 100\%$)
 EPDM Membrane 8 bar (115 psi)
 PTFE Membrane 7 bar (100 psi)

Higher working pressure may be achieved with different actuator. Please consult a SED factory representative for working pressure above the indicated maximum.

Max. working temperature: 160°C (320°F) dependent on application

Control pressure: Cf. 1 & 4 4,5 - 7 bar (60 - 100 psi)

Diaphragm material: EPDM or PTFE

Valve body material: Forged 1.4435/ 316 L ASME/BPE
 Investment cast 1.4435/ 316 L
 Other alloys

End connection: Butt weld ends see fold out page 21
 Clamps and flanges see page 22 to 24
 Special ends

Actuators suitable for: Two-Way bodies
 Welded configurations
 T-bodies
 Multiport bodies

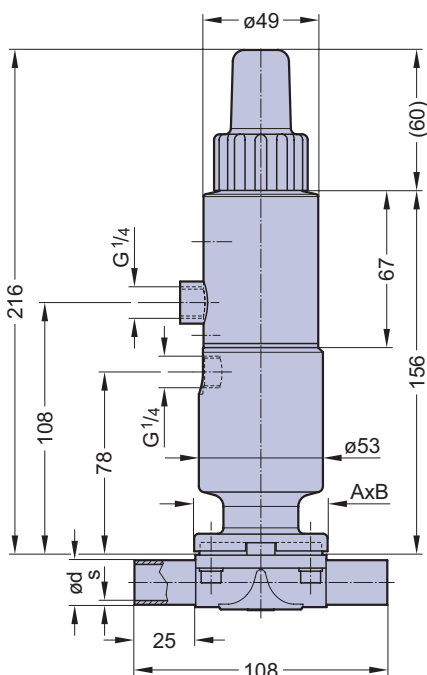
Tank bottom bodies

Flow rate: Kv in m³/h (Cv in GPM) see page 9

Diaphragm size: MA 10

Weight: ca. 1,7 kg

Technical data also valid for multiport valve.



Butt weld ends
 MA 10
 Fold out page 21

DN (mm)	MA	Filling volume (NL)
		NC
8-20	25	0,061

Valve type overview see page 26 and 27.
 Ordering key see page 66 to 68.