



Type 7124 Blowdown Vessel

For Type 7120 and Type 7129 Electric Steam Generators

Application

The Type 7124 Blowdown Vessel is an optional accessory for use with Type 7120 and Type 7129 Electric Steam Generators.

Function

The **Type 7124** Blowdown Vessel is an optional accessory for use with **Type 7120** and **Type 7129** Electric Steam Generators.

Special features

- For use in the Type 7128 Boiler Room or for floor installations
- Turnkey solution
- Little installation work required
- Low maintenance
- Rugged design

Versions

Type 7124 Blowdown Vessel for the Type 7120 Electric Steam Generator (▶ T 3976) and Type 7129 Electric Steam Generator

Integrated connections:

- Inlet for blowdown water
- Inlet (cold water)
- Overflow with connection to public drainage system
- Drainage (water)
- Temperature switch

Fields of application

The **Type 7124** Blowdown Vessel is used for the blowdown and drainage of the **Type 7120** and **Type 7129** Electric Steam Generators. The water in the blowdown vessel is mixed with cold water to cool it down to below 40 °C before it is discharged into the public drainage system. The condensate can be tested for contamination before it is discharged.

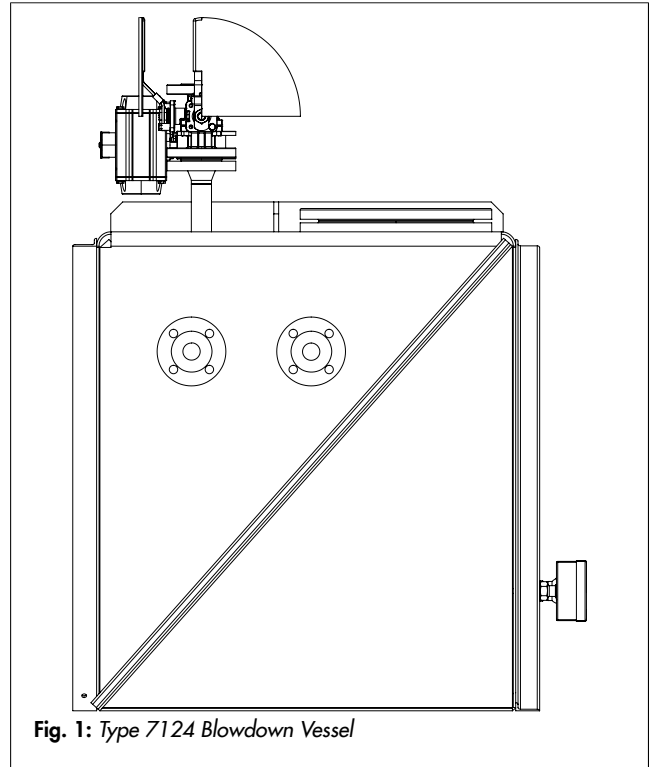


Fig. 1: Type 7124 Blowdown Vessel

Table 1: Technical data for Type 7124

Capacity	Approx. 350 to 500 l
Power supply connection	230 VDC; 50 Hz
Operating pressure	1 bar(a) (open)
Material	Stainless steel
Weight	Approx. 70 to 100 kg

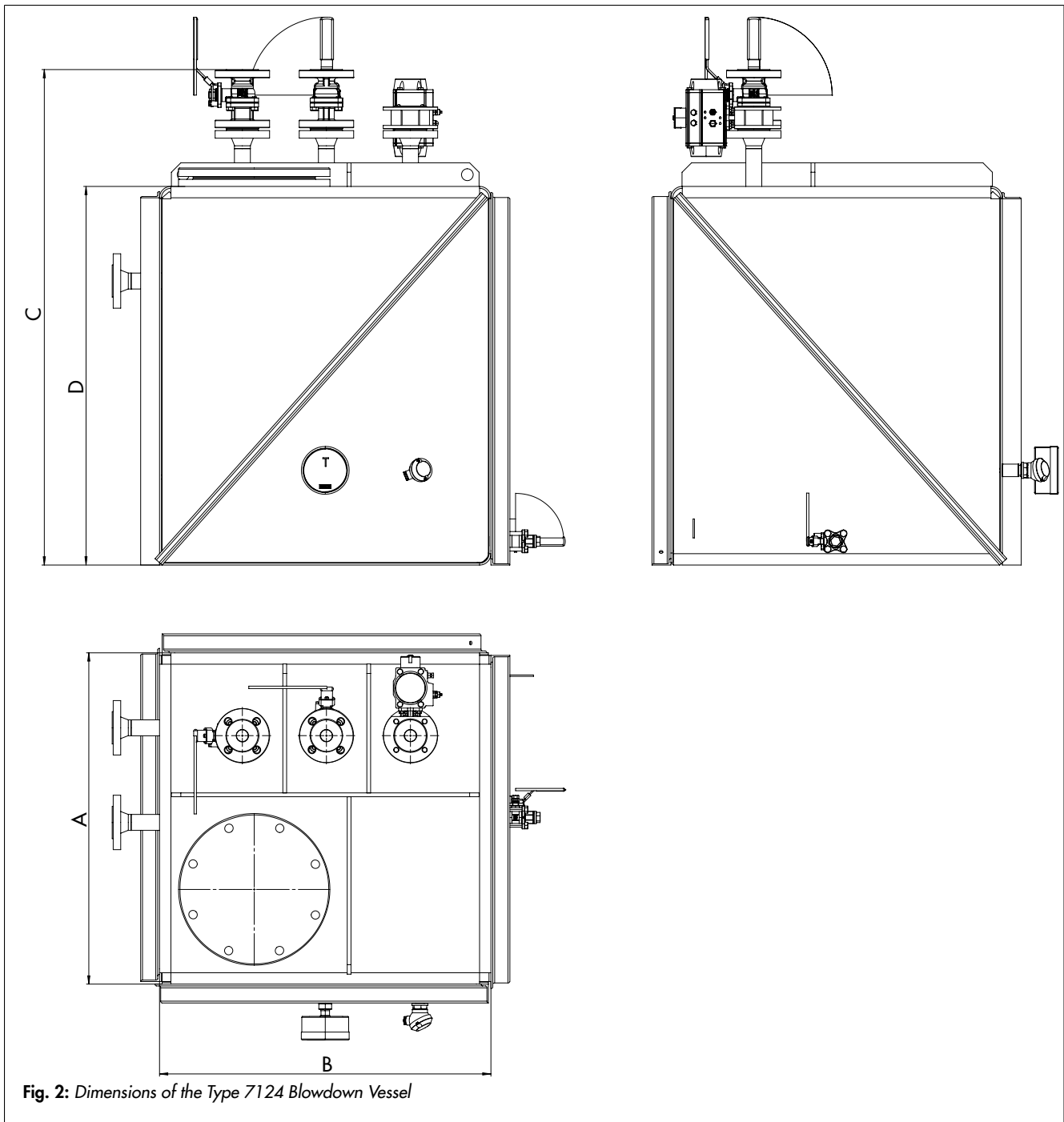


Fig. 2: Dimensions of the Type 7124 Blowdown Vessel

Table 2: Dimensions and connections (flanges)

Tank size in liter	Dimensions in mm			
	A	B	C	D
350	660	660	800	800
500	700	700	1050	800



RFQ Form for Type 7124 Blowdown Vessel

Customer data			
Company			
Address			
Name			
Phone number			
E-mail			
Send your inquiry to your regional SAMSON contact or e-mail it to ► systems-de@samsongroup.com.			
Type			
Electric steam generator	Type 7120	Type 7129	Installed in Type 7128 Boiler Room
Notes			