

T 8055 EN

Type 3253-1 and Type 3253-7 Pneumatic Control Valves

Type 3253 Three-way Valve

DIN version



Application

Mixing or diverting valve for process engineering applications with high industrial requirements

Valve size	DN 15 to 500
Pressure rating	PN 10 to 400
Temperatures	-196 to +550 °C

Special features

Type 3253 Three-way Valve with

- Type 3271 Pneumatic Actuator (Type 3253-1 Control Valve)
- Type 3277 Pneumatic Actuator (Type 3253-7 Control Valve) for integral positioner attachment

Valve body made of

- Cast iron
- Cast steel
- Cast stainless steel, high-temperature cast steel or cast cold-resisting steel

Two spring-loaded PTFE V-ring packings or two adjustable high-temperature packings

On request with a test connection between the two packings.

Conversion between mixing and diverting services by

reversing the seat-guided valve plug

Optional with RFID tags with one-to-one device marking according to DIN SPEC 91406.

The control valves with their modular design can be equipped with various accessories:

Positioners, limit switches, solenoid valves and other accessories according to IEC 60534-6 ¹⁾ and NAMUR recommendation. Refer to Information Sheet ▶ T 8350 for more details.

Versions

Standard version with PTFE packing for temperatures from -10 to +220 °C or with adjustable high-temperature packing for -10 to +350 °C

- **Type 3253-1** (Fig. 1) · Type 3253 Valve and Type 3271 Actuator with 350 to 2800 cm² actuator area (see Data Sheets ▶ T 8310-1, ▶ T 8310-2 and ▶ T 8310-3)
- **Type 3253-7** · Type 3253 Valve and Type 3277 Pneumatic Actuator with 350 to 700 cm² actuator area, for integral positioner attachment (see Data Sheet ▶ T 8310-1)

¹⁾ Accessories required. See associated actuator documentation.



Fig. 1: Type 3253-1 Pneumatic Control Valve with Type 3271 Actuator

Further versions:

- **Insulating section or bellows seal** · See Technical data
- **Additional handwheel** · See Data Sheets ▶ T 8310-1, ▶ T 8310-2 and ▶ T 8310-3
- **ANSI version** · NPS ½ to 20, Class 300 to 2500 · See Data Sheet ▶ T 8056
- **Type 3244** · DN 15 to 150, PN 10 to 40; NPS ½ to 6, Class 150 to 300 · See Data Sheet ▶ T 8026
- **Type 3253-2 Electric Control Valve** · Details on request
- **Type 3253-3 Manually Operated Valve** with Type 3273 Hand-operated Actuator · See Data Sheet ▶ T 8312

Principle of operation

Depending on the plug arrangement, the three-way valve can be used either as a mixing or diverting valve.

In mixing valves, the process media to be mixed enter at valve ports A and B. The combined flow exits the valve at port AB (Fig. 2 and Fig. 3). The flow rate from ports A or B to AB depends on the cross-sectional area of flow between the seats and plugs.

In diverting valves, the process medium enters at the valve port AB and the partial flows exit at ports A and B (Fig. 4).

Fail-safe position

Depending on how the springs are arranged in the pneumatic actuator (see Data Sheets ► T 8310-1, ► T 8310-2 and ► T 8310-3), the valve has two different fail-safe positions that become effective when the supply air fails.

- **Actuator stem extends:** when the supply air fails, port B is closed in mixing valves and port A is closed in diverting valves.
- **Actuator stem retracts:** when the supply air fails, port A is closed in mixing valves and port B is closed in diverting valves.

Fig. 2 to Fig. 4 show configuration examples.

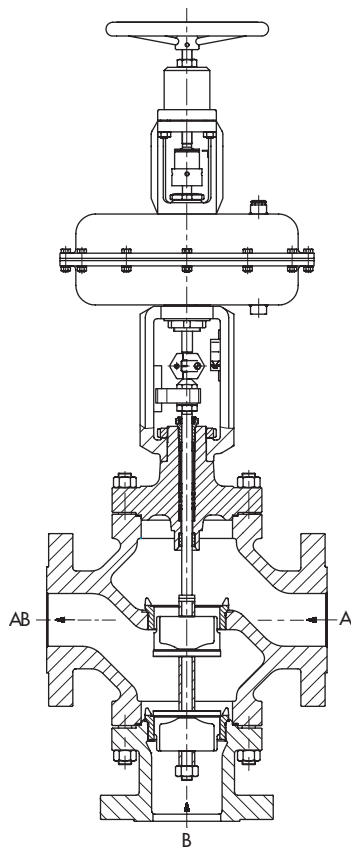


Fig. 2: Type 3253-1 Control Valve with Type 3271 Pneumatic Actuator and additional handwheel, body version for DN 50 to 500, plug arrangement for mixing service (anti-rotation fixture for DN 50 and larger)

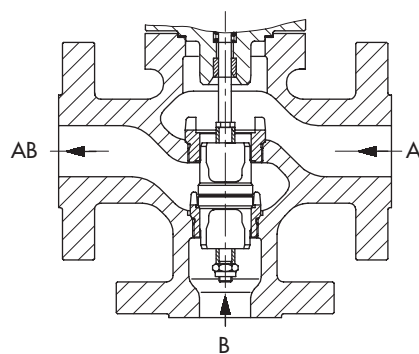


Fig. 3: Type 3253 Three-way Valve, body version for DN 15 to 40, plug arrangement for mixing service
plug arrangement for diverting service DN 15 to 25

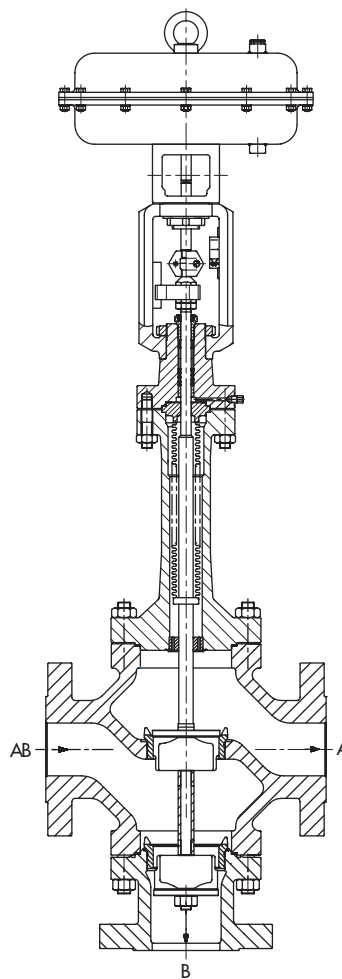


Fig. 4: Type 3253-7 Control Valve with Type 3277 Pneumatic Actuator (only up to DN 100), body version for DN 40 to 500, plug arrangement for diverting service (anti-rotation fixture for DN 50 and larger)

Table 1: Technical data for Type 3253

Material	Cast iron EN-JL1040	Cast steel 1.0619	Cast steel 1.7357	Cast stainless steel 1.4408
Valve size ¹⁾ DN	150 to 200	250 to 500	15 to 100	150 to 300
Pressure rating ¹⁾ PN	16	10	16 to 160	16 to 160
Type of connection Flanges	All DIN EN versions			
Seat-plug seal	Metal seal			
Characteristic	Linear			
Rangeability	50:1			
Temperature ranges in °C · Permissible operating pressures acc. to pressure-temperature diagrams (see Information Sheet ▶ T 8000-2)				
Body without insulating section	-10 to +220 °C · Up to +350 °C with high-temperature packing			
Body with insulating section or bellows seal	-10 to +300	-10 to +400 ²⁾	-10 to +500	-196 to +550
Valve plug Metal seal	-196 to +550			
Leakage class according to IEC 60534-4	≤0.05 % of K _{VS} coefficient			
RFID tag (optional)	Application range according to the technical specifications and the explosion protection certificates. Documents ▶ www.samsongroup.com > Service & Support > Electronic nameplate Max. permissible operating temperature: 85 °C			
Conformity	CE · EAC			

¹⁾ Up to PN 400 on request · DN 400: PN 16 to 40 · DN 500: PN 16 to 40

²⁾ Version for lower temperatures on request

Table 2: Materials (EN material number)

Standard version	Cast iron EN-JL1040	Cast steel 1.0619	Cast steel 1.7357	Cast stainless steel 1.4408
Body				
Valve bonnet	1.0460/1.0619			1.4408/1.4401
Seat and plug ¹⁾	1.4006/1.4008			1.4409/1.4404
Guide bushings	1.4112			2.4610
Packing ²⁾	V-ring packing: PTFE with carbon; spring: 1.4310 · High-temperature packing			
Body gaskets	Graphite seal on metal core			
Insulating section	1.0460/1.0619			1.4408/1.4401
Bellows seal ⁴⁾				
Intermediate piece	1.0460/1.0619			1.4408/1.4401
Metal bellows	1.4571 ³⁾			

¹⁾ All seats and plugs also available with Stellite® facing

²⁾ Other packings on request (▶ T 8000-1)

³⁾ Other bellows material on request

⁴⁾ Bellows with both DN >200 and PN >100 on request

Table 3: Available K_{VS} coefficients

Terms for control valve sizing according to IEC 60534, Parts 2-1 and 2-2: $F_l = 0.95$, $X_T = 0.75$

K _{VS}	4	8	25	40	100	160	360	630	800	1500	2500	3600
Seat Ø	24		38	50	80	100	150	200	250	300	400	500
Rated travel	15			30			60			120		
DN												
15	•											
25		•										
40			•									
50				•								
80					•							
100						•						
150							•					
200								•				
250 ¹⁾									•			
300										•		
400											•	
500												•

¹⁾ Special version K_{VS} 1000 only for DN 250 as mixing valve with 120 mm travel

Notes on the differential pressure tables

- Bench ranges highlighted in gray apply to standard operation ($p_2 = 0$), i.e. at rated travel · Bench ranges not highlighted apply to the maximum pretensioned springs
- Bench ranges not highlighted apply to the maximum pretensioned springs.
- Differential pressures in parentheses refer to the values for half travel in parentheses in the bench range row
- The springs in actuators with fail-safe action "actuator stem retracts" cannot be preloaded.

Table 4: Differential pressures

Table 4.1: Permissible differential pressures Δp for valves with and without bellows seal · Fail-safe action "actuator stem extends" · Pressures in bar

Bench range [bar] with actuator area [cm ²]					350	700	1400	2800	2 x 2800					
					0.2 to 1.0 (0.8 to 1.2)	0.4 to 2.0 (1.6 to 2.4)	1.4 to 2.3 (1.85 to 2.3)	2.1 to 3.3 (2.7 to 3.3)	-					
							0.5 to 2.5 (2 to 3)	1.1 to 2.4 (2.05 to 2.7)	1.3 to 2.8 (2.45 to 3.2)					
					-	-	1.1 to 2.3 (2.0 to 2.6)	1.3 to 3.3						
					Required supply pressure					Lower bench range value + Upper bench range value				
					DN	K _{vs}	Travel [mm]	Seat bore [mm]	Actuator [cm ²]	Δp in bar				
15	4	15	24	350	8	22	90	140	-					
				700	(105)	(215)	(250)	(370)	-					
25	8	15	24	350	8	22	90	140	-					
				700	(105)	(215)	(250)	(370)	-					
40	25	15	38	350	-	8	35	55	-					
				700	(140)	(85)	(100)	(145)	-					
50	40	30	50	700	4	10	42	65	-					
				1400	(49)	(100)	(126)	(129)	(155)					
80	100	30	80	700	-	-	(16)	25	-					
				1400	(18)	(38)	(49)	(50)	(60)					
100	160	30	100	700	-	-	10	15	-					
				1400	(11)	(24)	(31)	(32)	(38)					
150	360	60	150	1400	-	2	3	7	8.5					
				2800	-	(22)	(28)	(28)	-					
200	630	60	200	1400	-	-	-	4	4.5					
				2800	-	(12)	(15.5)	(15.5)	-					
				2x2800	-	(25)	(32)	(32)	-					
250	800	60	250	2800	-	-	-	(10)	-					
				2x2800	-	-	-	(20)	-					
300	1500	120	300	2800	-	-	-	3.5	-					
				2x2800	-	-	-	7.5	-					
400	2500	120	400	2800	-	-	-	-	2.3					
				2x2800	-	-	-	-	5					
500	3600	120	500	2x2800	-	-	-	-	3					

Table 4.2: Permissible differential pressures Δp for valves with and without bellows seal · Fail-safe action "actuator stem retracts"
· Pressures in bar

Bench range [bar] with actuator area [cm ²]					350	0.2 to 1.0 (0.2 to 0.6)	0.4 to 2.0 (0.4 to 1.2)	1.4 to 2.3 (1.4 to 1.85)	2.1 to 3.3 (2.1 to 2.7)	-
					700			0.5 to 2.5 (0.5 to 1.5)	1.1 to 2.4 (1.1 to 1.75)	1.3 to 2.8 (1.3 to 2.05)
Required supply pressure					1400	-			1.1 to 2.3 (1.1 to 1.7)	1.3 to 3.3 (1.3 to 2.3)
					2800					
Lower bench range value + Upper bench range value										
DN	K _{V5}	Travel [mm]	Seat bore [mm]	Actuator cm ²	Δp in bar					
15	4	15	24	350	8.5	22.5	92	141	-	
				700	(22.5)	(50)	(189)	(287)	-	
25	8	15	24	350	8.5	22.5	92	141	-	
				700	(22.5)	(50)	(189)	(287)	-	
40	25	15	38	350	-	8	36	55	-	
				700	(8.5)	(19)	(75)	(114)	-	
50	40	30	50	700	4	10.5	42.5	65	-	
				1400	(10.5)	(23.5)	(30)	(68)	(80)	
80	100	30	80	700	-	-	16	25	-	
				1400	(3.5)	(9)	(11.5)	(26)	(31.5)	
100	160	30	100	700	-	-	10.5	16	-	
				1400	-	(5.5)	(7)	(16.5)	(20)	
150	360	60	150	1400	-	-	-	7	8.5	
				2800	-	(5)	(6.5)	(15)	-	
200	630	60	200	1400	-	-	-	4	4.5	
				2800	-	-	-	(8)	-	
				2x2800	-	(5.5)	(7)	(17)	-	
250	800	60	250	2800	-	-	-	(5)	(13)	
				2x2800	-	-	(4.5)	(10)	-	
300	1500	120	300	2800	-	-	-	-	-	
				2x2800	-	-	-	7.5	9	
400	2500	120	400	2800	-	-	-	-	-	
				2x2800	-	-	-	-	5	
500	3600	120	500	2x2800	-	-	-	-	3	

Table 5: Dimensions in mm for standard versions of Type 3253-1 and Type 3253-7**Table 5.1:** Type 3253 Three-way Valve

Valve	DN	15	25	40	50	80	100	150	200	250	300	400	500
Length L	PN 10 to 40	130	160	200	230	310	350	480	600	730	850	1100	1250
	PN 63 to 160	210	230	260	300	380	430	550	650	775	900	1150 ¹⁾	1400 ²⁾
Height H4	PN 10 to 40	152	152	164	217	222	242	315	389	441	637	637	735
	518									–			
	PN 250 to 400	186	186	195	251	288	348	445	544	699	811	–	–
H8 for actuator	350 cm ²	240	240	240	240	240	240	–					
	700 cm ²	240	240	240	240	240	240	418	418	418	–		
	1400-60 cm ²	–			295	295	295	418	418	418	503	503	503
	1400-120 cm ² 2800 cm ²				480	480	480	503	503	503 ³⁾	650	650	650
H2 (approx.)	PN 10 to 40	115	115	130	230	275	305	480	520	595	740	830	982
	PN 63 to 160	115	115	130	275	310	370	535	590	730	790	–	
	PN 250 to 320	140	On request					587	On request				
	PN 400	On request					457	626	On request				

1) DN 400, up to PN 63

2) DN 500, up to PN 40

3) H8 = 650 mm with 250 mm seat bore

Table 5.2: Types 3271 and 3277 Pneumatic Actuators

Actuator area	cm ²	350	700	1400-60	1400-120	2800	2 x 2800
Diaphragm ØD	mm	280	390	530	534	770	770
H ¹⁾	mm	82	199	337	598	713	1213
H3 ²⁾	mm	110	190	610	650	650	650
H5	Type 3277	mm	101	101	–	–	–
	Type 3271		M30x1.5	0	0	M60x1.5	0
Thread	Type 3277		M30x1.5	0	0	–	–
	Type 3271		G 3/8 (3/8 NPT)	G 3/8 (3/8 NPT)	G 3/4 (3/4 NPT)	G 1 (1 NPT)	G 1 (1 NPT)
α	Type 3271		G 3/8 (3/8 NPT)	G 3/8 (3/8 NPT)	G 3/4 (3/4 NPT)	G 1 (1 NPT)	G 1 (1 NPT)
α2	Type 3277		G 3/8	G 3/8	–	–	–

1) Height including lifting eyelet or female thread and eyebolt according to DIN 580. Height of the swivel hoist may differ. Actuators up to 355v2 cm² without lifting eyelet or female thread

2) Minimum clearance required to remove the actuator

Table 6: Weights for Type 3253-1 and Type 3253-7 in standard version**Table 6.1:** Type 3253 Three-way Valve

Valve	DN	15	25	40	50	80	100	150	200	250	300	400	500
Valve without actuator (approx. kg)	PN 10 to 400	On request											

Table 6.2: Types 3271 and 3277 Pneumatic Actuators

Actuator	cm ²	350	700	1400-60	1400-120	2800	2 x 2800
Type 3271 (approx. kg)	Without handwheel	8	22	70	175	450	950
	With handwheel	13	27	175	300 ¹⁾ /425 ²⁾	575 ¹⁾ /700 ²⁾	On request
Type 3277 (approx. kg)	Without handwheel	12	26	–			
	With handwheel	17	31				

1) Side-mounted handwheel up to 80 mm travel

2) Side-mounted handwheel above 80 mm travel

Table 7: Dimensions in mm and weights in kg for Type 3253 Valve with insulating section · Without actuator

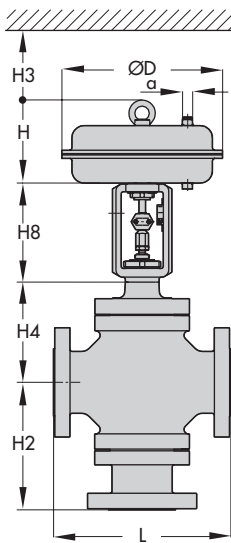
Valve size	DN	15	25	40	50	80	100	150	200	250	300	400	500
Height H4	PN 10 to 160	353	353	365	487	492	512	665	944	1064	1135	1136	1200
	PN 250 to 400	382	382	391	516	546	598	789	1068	On request			
Weight without actuator (approx.)	PN 10 to 400	On request											

Table 8: Dimensions in mm and weights in kg for Type 3253 with bellows seal · Without actuator

Valve size	DN	15	25	40	50	80	100	150	200	250	300	400	500
Height H4	15-120 mm travel PN 10 to 40	350	350	362	596	601	601	722	1038	1493	1505	1507	-
	15-60 mm travel PN 63 to 160	350	350	362	596	601	601	856	1438	On request	-		
	15-60 mm travel PN 250 to 320	621	621	623	840	842	On request				-		
	15-60 mm travel PN 400	On request									-		
Weight without actuator (approx.)	PN 10 to 400	On request											

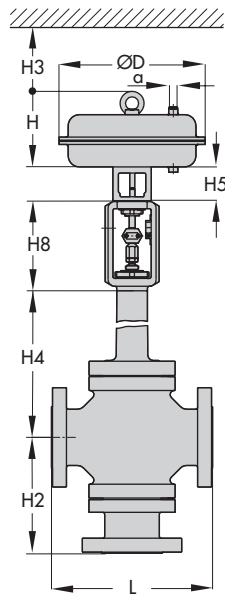
Dimensional drawings

Type 3271 Pneumatic Actuator



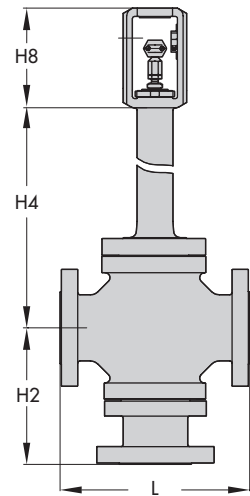
Type 3253-1

Type 3277 Pneumatic Actuator



Type 3253-7

Type 3253 with bellows seal or insulating section



Selection and sizing of the control valve

1. Calculate K_v coefficient according to IEC 60534-6
2. Select valve size DN and K_{vS} coefficient from Table 3 and Table 4
3. Determine the permissible differential pressure Δp from Table 4
4. Select the valve body material from Table 1 and Table 2 as well as from the pressure-temperature diagrams in Information Sheet ► 8000-2
5. Select accessories from Table 1 and Table 2.

Ordering text

Valve size	DN
Pressure rating	PN
Body material	Refer to Table 2
Bonnet	Standard bonnet, insulating section or bellows seal
Type of connection	Flanges
Actuator	Type 3271 or Type 3277 (see Data Sheets ► T 8310-1, ► T 8310-2 and ► T 8310-3)
Fail-safe position	Actuator stem extends/retracts
Process medium	Density in kg/m^3 and temperature in $^{\circ}\text{C}$
Flow rate	kg/h or m^3/h in standard or operating state
Pressure	p_1 and p_2 in bar (absolute pressure p_{abs}) (with minimum, normal and maximum flow rate)
RFID tag	Yes/No
Valve accessories	Positioner and/or limit switch