

# Type 3310 Segmented Ball Valve

SAMSON



## Solutions

for the energy market

SMART IN FLOW CONTROL

# TECHNICAL DATA



Size	DN 25 – 300/NPS 1" – 12"	
$K_{vs}/C_v$	$K_{vs}$ 34 – 2650/ $C_v$ 40 – 3100	
Body Materials	Steel or Stainless steel	
Seat Sealings	Soft (PEEK/PTFE) Metallic (ARCAP® or Enhanced)	
Actuators	Pneumatic (SRP)	Electric (PSQ)
Required Energy supply	Air 2.5 to 5.5 bars (depending on the selected actuator)	Power 24 V AC/DC – 230 V AC – 400 V AC
Additional information/Options	<ul style="list-style-type: none"> <li>– Positioner 4 – 20 mA available</li> <li>– Handwheel available</li> <li>– Safety position by spring return (pneumatic version) or super-capacitors (electric version)</li> </ul>	
Datasheet	Type 3310 Segmented Ball Valve <a href="#">Updated edition 2020: T8222-1</a>	



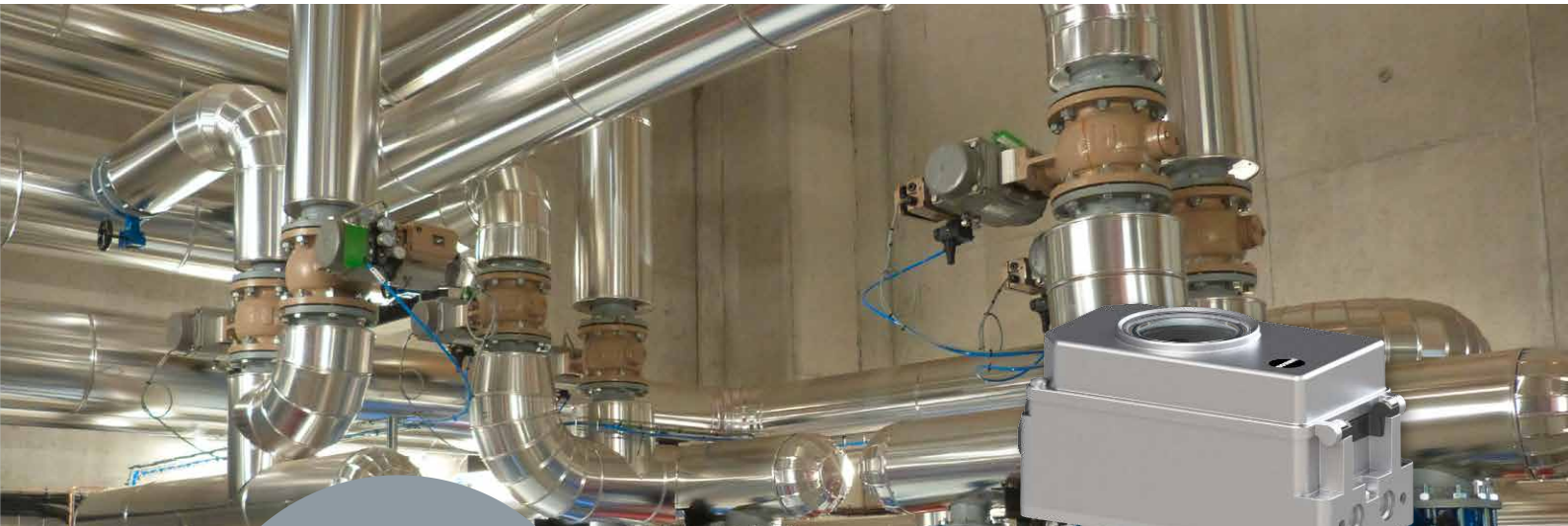
### Suited for control applications in:

- Heating and cooling networks:
  - Power plants
  - Primary networks
  - High power substations (ETS)
- Energy industry

Motorized by pneumatic or electric actuators



# TYPE 3310 SEGMENTED BALL VALVE WITH PNEUMATIC SRP ACTUATOR



Pump energy optimization

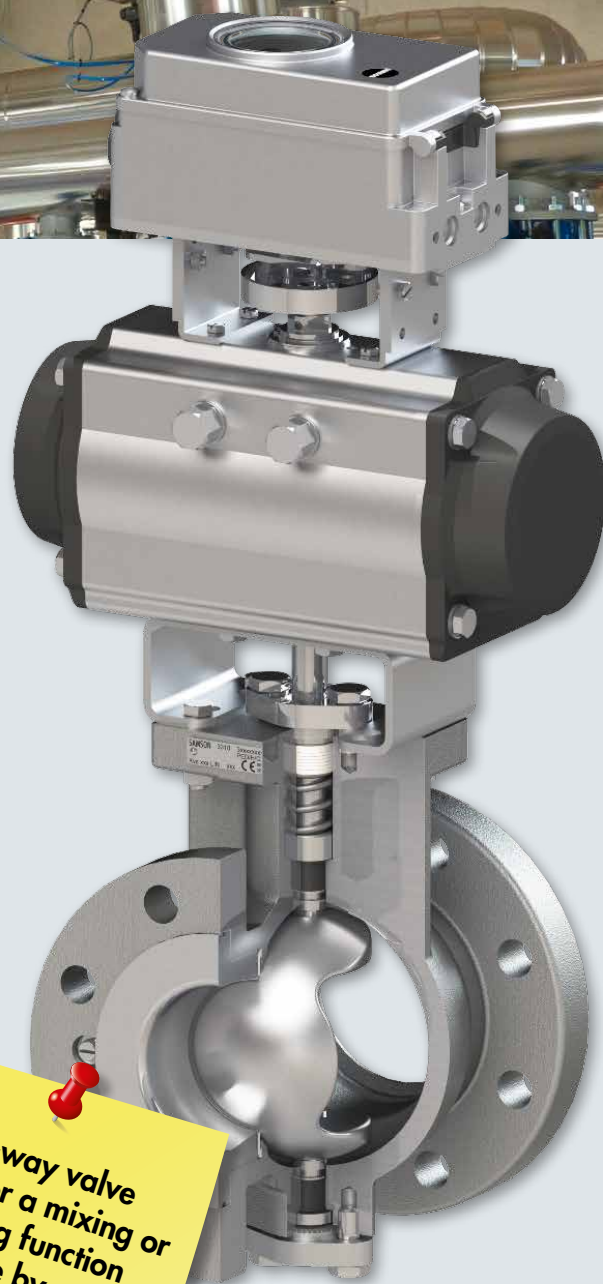
Facilitated integration

Cost effective solution

## This is thanks to its:

- High flow capacity (3 to 4 times higher than a globe valve)
- 100% full bore opening
- Compact and light design

Three-way valve used for a mixing or diverting function available by combining two 3310 valves.



# TYPE 3310 SEGMENTED BALL VALVE WITH ELECTRIC PSQ ACTUATOR



Efficient solution  
to suit varying  
demand

Secured  
substation  
in case of  
failure

Precise temperature  
control over a wide  
range



## This is thanks to its:

- High rangeability (>400:1 with =% characteristic)
- Accurate flow characteristic (=% or lin) combined with a digital positioner with autotune
- Bubble tight design (Leakage Class VI)
- Option: fail-safe position using super-capacitors

# SAMSON AT A GLANCE



## STAFF

- Worldwide 4,500
- Europe 3,700
- Asia 600
- Americas 200
- Frankfurt am Main, Germany 2,000

## MARKETS AND APPLICATIONS

- Chemicals and petrochemicals
- Food and beverages
- Pharmaceuticals and biotechnology
- Oil and gas
- Liquefied Natural Gas (LNG)
- Marine equipment
- Power and energy
- Industrial gases
- Cryogenic applications
- District energy and building automation
- Metallurgy and mining
- Pulp and paper
- Water technology
- Other industries

## PRODUCTS

- Valves
- Self-operated regulators
- Actuators
- Positioners and valve accessories
- Signal converters
- Controllers and automation systems
- Sensors and thermostats
- Digital solutions

## SALES SITES

- More than 50 subsidiaries  
in over 40 countries
- More than 200 representatives

## PRODUCTION SITES

- SAMSON Germany, Frankfurt, established in 1916  
Total plot and production area: 150,000 m<sup>2</sup>
- SAMSON France, Lyon, established in 1962  
Total plot and production area: 23,400 m<sup>2</sup>
- SAMSON Turkey, Istanbul established in 1984  
Total plot and production area: 11,100 m<sup>2</sup>
- SAMSON USA, Baytown, TX, established in 1992  
Total plot and production area: 20,000 m<sup>2</sup>
- SAMSON China, Beijing, established in 1998  
Total plot and production area: 47,000 m<sup>2</sup>
- SAMSON India, Pune district, established in 1999  
Total plot and production area: 28,000 m<sup>2</sup>
- SAMSON Russia, Rostov-on-Don, established in 2015  
Total plot and production area: 24,000 m<sup>2</sup>
- SAMSON AIR TORQUE, Bergamo, Italy  
Total plot and production area: 27,000 m<sup>2</sup>
- SAMSON CERA SYSTEM, Hermsdorf, Germany  
Total plot and production area: 14,700 m<sup>2</sup>
- SAMSON KT-ELEKTRONIK, Berlin, Germany  
Total plot and production area: 1,100 m<sup>2</sup>
- SAMSON LEUSCH, Neuss, Germany  
Total plot and production area: 18,400 m<sup>2</sup>
- SAMSON PFEIFFER, Kempen, Germany  
Total plot and production area: 20,300 m<sup>2</sup>
- SAMSON RINGO, Zaragoza, Spain  
Total plot and production area: 19,000 m<sup>2</sup>
- SAMSON SED, Bad Rappenau, Germany  
Total plot and production area: 10,400 m<sup>2</sup>
- SAMSON STARLINE, Bergamo, Italy  
Total plot and production area: 27,000 m<sup>2</sup>
- SAMSON VDH PRODUCTS, the Netherlands  
Total plot and production area: 12,000 m<sup>2</sup>
- SAMSON VETEC, Speyer, Germany  
Total plot and production area: 27,100 m<sup>2</sup>

## SAMSON AKTIENGESELLSCHAFT

Weismuellerstrasse 3 · 60314 Frankfurt am Main, Germany  
Phone: +49 69 4009-0 · Fax: +49 69 4009-1507  
E-mail: samson@samsongroup.com · Internet: www.samsongroup.com